

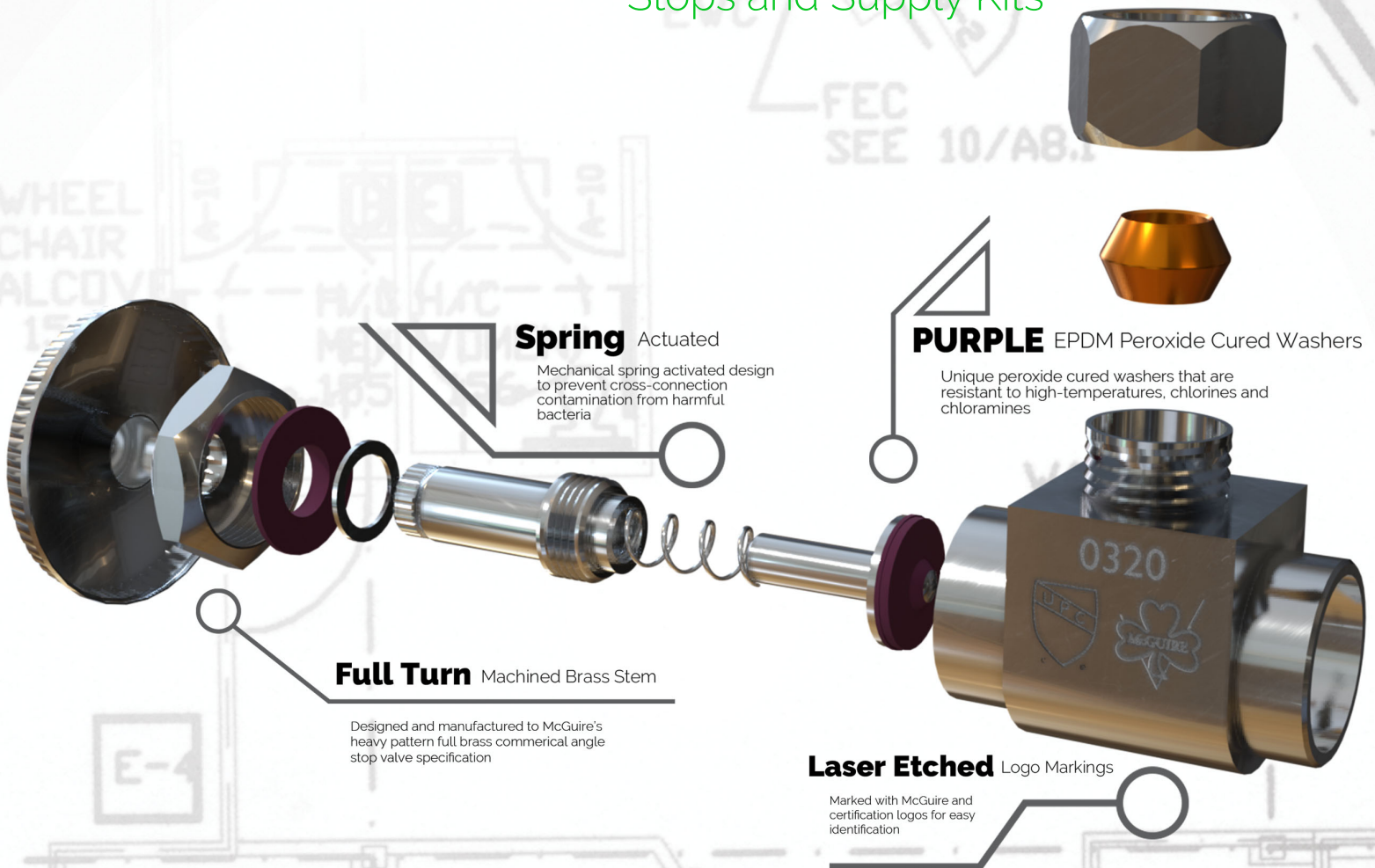


ICV DEFENDER

Pat. Pending

Specification Sheets

Stops and Supply Kits



Spring Actuated
Mechanical spring activated design to prevent cross-connection contamination from harmful bacteria

PURPLE EPDM Peroxide Cured Washers
Unique peroxide cured washers that are resistant to high-temperatures, chlorines and chloramines

Full Turn Machined Brass Stem

Designed and manufactured to McGuire's heavy pattern full brass commercial angle stop valve specification

Laser Etched Logo Markings

Marked with McGuire and certification logos for easy identification



WARNING: This product can expose you to chemicals including lead, which is known to the State of California to cause cancer, and birth defects or other reproductive harm. For more information go to www.P65Warnings.ca.gov.



McGuire Manufacturing Co., Inc.

60 Grandview Court

Cheshire, Connecticut 06410

(203) 699-1801 Fax (203) 699-1813

customerservice@mcguiremfg.com mcguiremfg.com

PRODUCT SPECIFICATION

Part No.

LFCK01

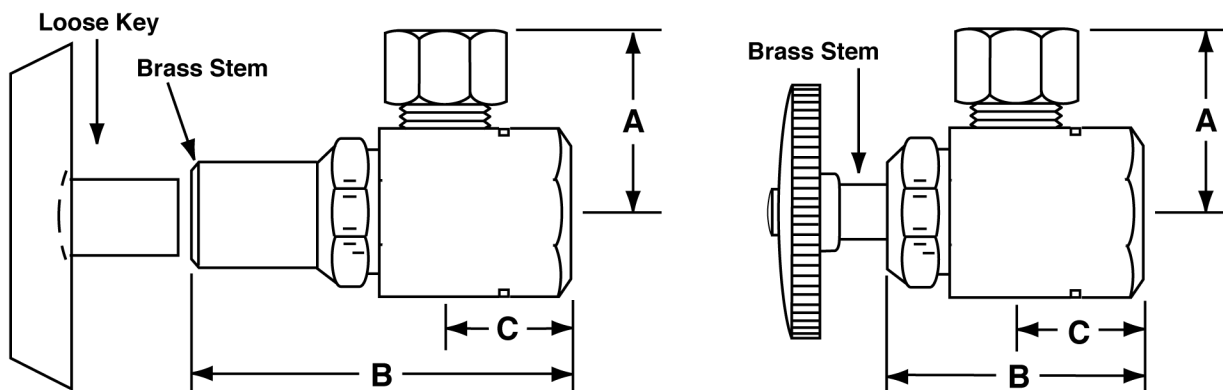
Integral Check Valve

IPS x Compression

Job Name:

Submittal Number:

Pipe To Compression



NO.	DESCRIPTION	ROUGHING MEASUREMENTS		
		A	B	C
LFCK01	3/8" I.P.S. x 3/8" O.D.	1"	1-1/2"	3/4"



Certified to NSF/ANSI 61 & 372



ASME A112.18.2

LK designates *Loose Key*

* See options and accessories section for details on product variations.

Specifications:

Chrome plated brass supply stop valve with spring actuated integral check valve and full turn brass stem. Inlet shall be (3/8, 1/2) inch (IPS, sweat, compression). Outlet shall be (3/8, 1/2) inch (IPS, compression). Integral check supply stop valve shall be McGuire _____.

Integral check supply stop valve shall be certified or recognized by testing authority and bear manufacturer and testing mark.



WARNING:

This product can expose you to chemicals including lead, which is known to the State of California to cause cancer, and birth defects or other reproductive harm. For more information go to www.P65Warnings.ca.gov.



McGuire Manufacturing Co., Inc.

60 Grandview Court
 Cheshire, Connecticut 06410
 (203) 699-1801 Fax (203) 699-1813
 customerservice@mcguiremfg.com mcguiremfg.com

PRODUCT SPECIFICATION

Part No.

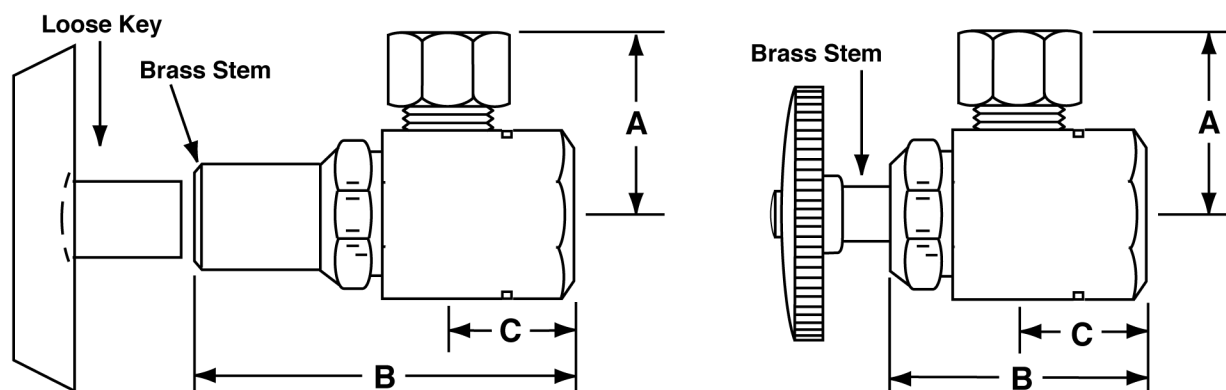
LFCK01LK

**Integral Check Valve
 IPS x Compression**

Job Name:

Submittal Number:

Pipe To Compression



NO.	DESCRIPTION	ROUGHING MEASUREMENTS		
		A	B	C
LFCK01LK	3/8" I.P.S. x 3/8" O.D.	1"	2-1/4"	3/4"



Certified to
 NSF/ANSI 61 & 372



ASME A112.18.2

LK designates *Loose Key*

* See options and accessories section for details on product variations.

Specifications:

Chrome plated brass supply stop valve with spring actuated integral check valve and full turn brass stem. Inlet shall be (3/8, 1/2) inch (IPS, sweat, compression). Outlet shall be (3/8, 1/2) inch (IPS, compression). Integral check supply stop valve shall be McGuire _____.

Integral check supply stop valve shall be certified or recognized by testing authority and bear manufacturer and testing mark.



WARNING:

This product can expose you to chemicals including lead, which is known to the State of California to cause cancer, and birth defects or other reproductive harm. For more information go to www.P65Warnings.ca.gov.



McGuire Manufacturing Co., Inc.

60 Grandview Court
 Cheshire, Connecticut 06410
 (203) 699-1801 Fax (203) 699-1813
 customerservice@mcguiremfg.com mcguiremfg.com

PRODUCT SPECIFICATION

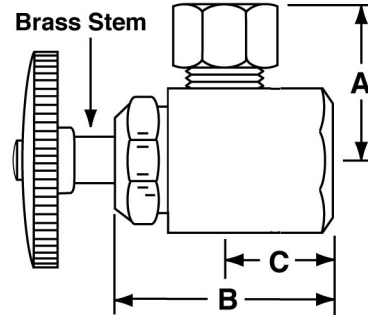
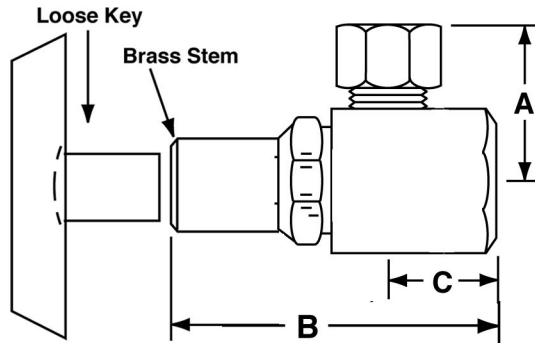
Part No.

LFCK02

**Integral Check Valve
 IPS x Compression**

Job Name:

Submittal Number:



NO.	DESCRIPTION	ROUGHING MEASUREMENTS		
		A	B	C
LFCK02	1/2" IPS x 3/8" OD, Wheel Handle	1-3/16"	1-1/2"	3/4"

LK designates *Loose Key*

See options and accessories section for details on product variations.



Certified to
 NSF/ANSI 61 & 372



ASME A112.18.2

Specifications:

Chrome plated brass supply stop valve with spring actuated integral check valve and full turn brass stem. Inlet shall be (3/8, 1/2) inch (IPS, sweat, compression). Outlet shall be (3/8, 1/2) inch (IPS, compression). Integral check supply stop valve shall be McGuire _____ . Integral check supply stop valve shall be certified or recognized by testing authority and bear manufacturer and testing mark.



WARNING:

This product can expose you to chemicals including lead, which is known to the State of California to cause cancer, and birth defects or other reproductive harm. For more information go to www.P65Warnings.ca.gov.



McGuire Manufacturing Co., Inc.

60 Grandview Court
 Cheshire, Connecticut 06410
 (203) 699-1801 Fax (203) 699-1813
 customerservice@mcguiremfg.com mcguiremfg.com

PRODUCT SPECIFICATION

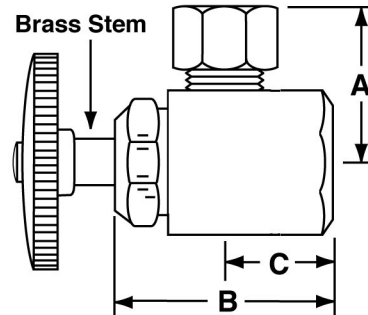
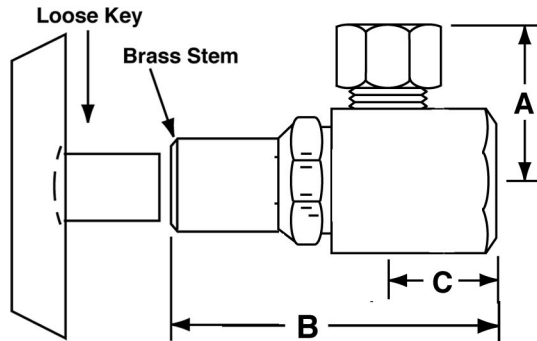
Part No.

LFCK02LK

**Integral Check Valve
 IPS x Compression**

Job Name:

Submittal Number:



NO.	DESCRIPTION	ROUGHING MEASUREMENTS		
		A	B	C
LFCK02LK	1/2" IPS x 3/8" OD, Loose Key	1-3/16"	2-1/4"	3/4"

LK designates *Loose Key*

See options and accessories section for details on product variations.



Certified to
 NSF/ANSI 61 & 372



ASME A112.18.2

Specifications:

Chrome plated brass supply stop valve with spring actuated integral check valve and full turn brass stem. Inlet shall be (3/8, 1/2) inch (IPS, sweat, compression). Outlet shall be (3/8, 1/2) inch (IPS, compression). Integral check supply stop valve shall be McGuire _____.
 Integral check supply stop valve shall be certified or recognized by testing authority and bear manufacturer and testing mark.



WARNING:

This product can expose you to chemicals including lead, which is known to the State of California to cause cancer, and birth defects or other reproductive harm. For more information go to www.P65Warnings.ca.gov.



McGuire Manufacturing Co., Inc.

60 Grandview Court
 Cheshire, Connecticut 06410
 (203) 699-1801 Fax (203) 699-1813
 customerservice@mcguiremfg.com mcguiremfg.com

PRODUCT SPECIFICATION

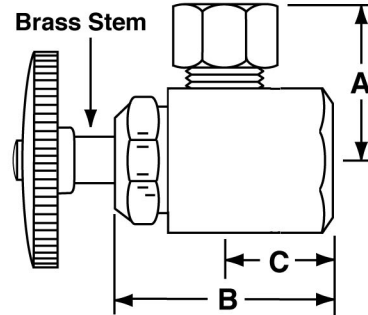
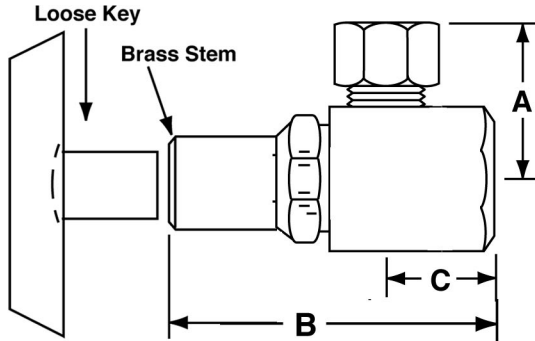
Part No.

LFCK03

**Integral Check Valve
 IPS x Compression**

Job Name:

Submittal Number:



NO.	DESCRIPTION	ROUGHING MEASUREMENTS		
		A	B	C
LFCK03	3/8" IPS x 1/2" OD, Wheel Handle	1-5/16"	1-1/2"	3/4"

LK designates *Loose Key*

See options and accessories section for details on product variations.



Certified to
 NSF/ANSI 61 & 372



ASME A112.18.2

Specifications:

Chrome plated brass supply stop valve with spring actuated integral check valve and full turn brass stem. Inlet shall be (3/8, 1/2) inch (IPS, sweat, compression). Outlet shall be (3/8, 1/2) inch (IPS, compression). Integral check supply stop valve shall be McGuire _____. Integral check supply stop valve shall be certified or recognized by testing authority and bear manufacturer and testing mark.



WARNING:

This product can expose you to chemicals including lead, which is known to the State of California to cause cancer, and birth defects or other reproductive harm. For more information go to www.P65Warnings.ca.gov.



McGuire Manufacturing Co., Inc.

60 Grandview Court
 Cheshire, Connecticut 06410
 (203) 699-1801 Fax (203) 699-1813
 customerservice@mcguiremfg.com mcguiremfg.com

PRODUCT SPECIFICATION

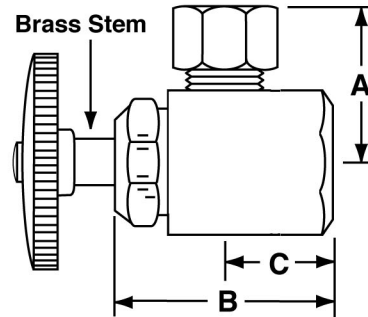
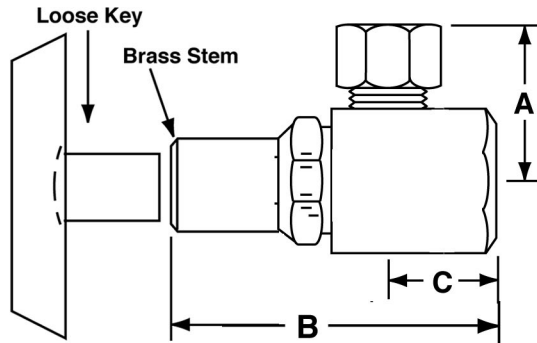
Part No.

LFCK03LK

**Integral Check Valve
 IPS x Compression**

Job Name:

Submittal Number:



NO.	DESCRIPTION	ROUGHING MEASUREMENTS		
		A	B	C
LFCK03LK	3/8" IPS x 1/2" OD, Loose Key	1-5/16"	2-1/4"	3/4"

LK designates *Loose Key*

See options and accessories section for details on product variations.



Certified to
 NSF/ANSI 61 & 372



ASME A112.18.2

Specifications:

Chrome plated brass supply stop valve with spring actuated integral check valve and full turn brass stem. Inlet shall be (3/8, 1/2) inch (IPS, sweat, compression). Outlet shall be (3/8, 1/2) inch (IPS, compression). Integral check supply stop valve shall be McGuire _____. Integral check supply stop valve shall be certified or recognized by testing authority and bear manufacturer and testing mark.



WARNING:

This product can expose you to chemicals including lead, which is known to the State of California to cause cancer, and birth defects or other reproductive harm. For more information go to www.P65Warnings.ca.gov.



McGuire Manufacturing Co., Inc.

60 Grandview Court
 Cheshire, Connecticut 06410
 (203) 699-1801 Fax (203) 699-1813
 customerservice@mcguiremfg.com mcguiremfg.com

PRODUCT SPECIFICATION

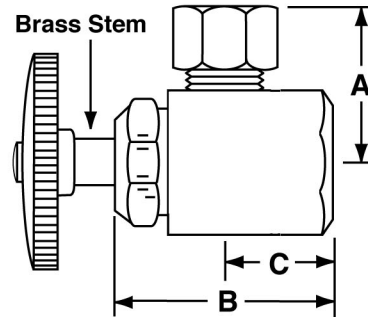
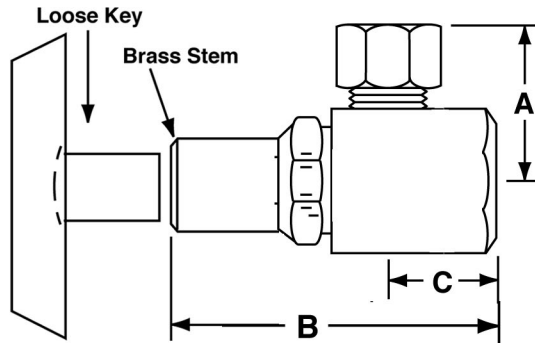
Part No.

LFCK04

**Integral Check Valve
 IPS x Compression**

Job Name:

Submittal Number:



NO.	DESCRIPTION	ROUGHING MEASUREMENTS		
		A	B	C
LFCK04	1/2" IPS x 1/2" OD, Wheel Handle	1-5/16"	1-1/2"	3/4"

LK designates *Loose Key*

See options and accessories section for details on product variations.



Certified to
 NSF/ANSI 61 & 372



ASME A112.18.2

Specifications:

Chrome plated brass supply stop valve with spring actuated integral check valve and full turn brass stem. Inlet shall be (3/8, 1/2) inch (IPS, sweat, compression). Outlet shall be (3/8, 1/2) inch (IPS, compression). Integral check supply stop valve shall be McGuire _____. Integral check supply stop valve shall be certified or recognized by testing authority and bear manufacturer and testing mark.



WARNING:

This product can expose you to chemicals including lead, which is known to the State of California to cause cancer, and birth defects or other reproductive harm. For more information go to www.P65Warnings.ca.gov.



McGuire Manufacturing Co., Inc.
 60 Grandview Court
 Cheshire, Connecticut 06410
 (203) 699-1801 Fax (203) 699-1813
 customerservice@mcguiremfg.com mcguiremfg.com
PRODUCT SPECIFICATION

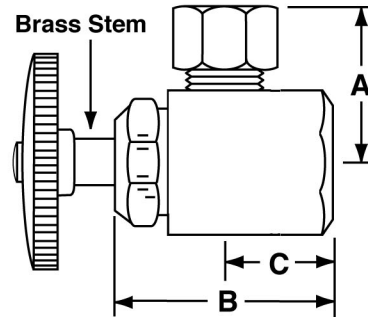
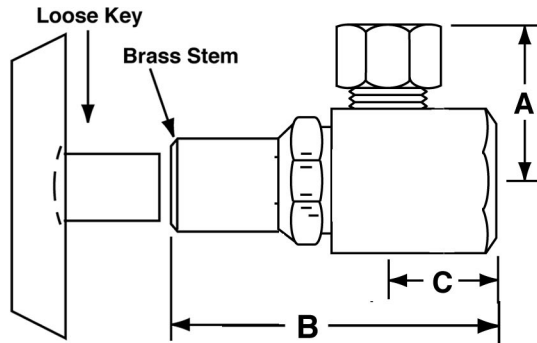
Part No.

LFCK04LK

**Integral Check Valve
 IPS x Compression**

Job Name:

Submittal Number:



NO.	DESCRIPTION	ROUGHING MEASUREMENTS		
		A	B	C
LFCK04LK	1/2" IPS x 1/2" OD Loose Key	1-5/16"	2-1/4"	3/4"

LK designates *Loose Key*

See options and accessories section for details on product variations.



Certified to
 NSF/ANSI 61 & 372



ASME A112.18.2

Specifications:

Chrome plated brass supply stop valve with spring actuated integral check valve and full turn brass stem. Inlet shall be (3/8, 1/2) inch (IPS, sweat, compression). Outlet shall be (3/8, 1/2) inch (IPS, compression). Integral check supply stop valve shall be McGuire _____. Integral check supply stop valve shall be certified or recognized by testing authority and bear manufacturer and testing mark.



WARNING:

This product can expose you to chemicals including lead, which is known to the State of California to cause cancer, and birth defects or other reproductive harm. For more information go to www.P65Warnings.ca.gov.



McGuire Manufacturing Co., Inc.

60 Grandview Court
 Cheshire, Connecticut 06410
 (203) 699-1801 Fax (203) 699-1813
 customerservice@mcguiremfg.com mcguiremfg.com

PRODUCT SPECIFICATION

Part No.

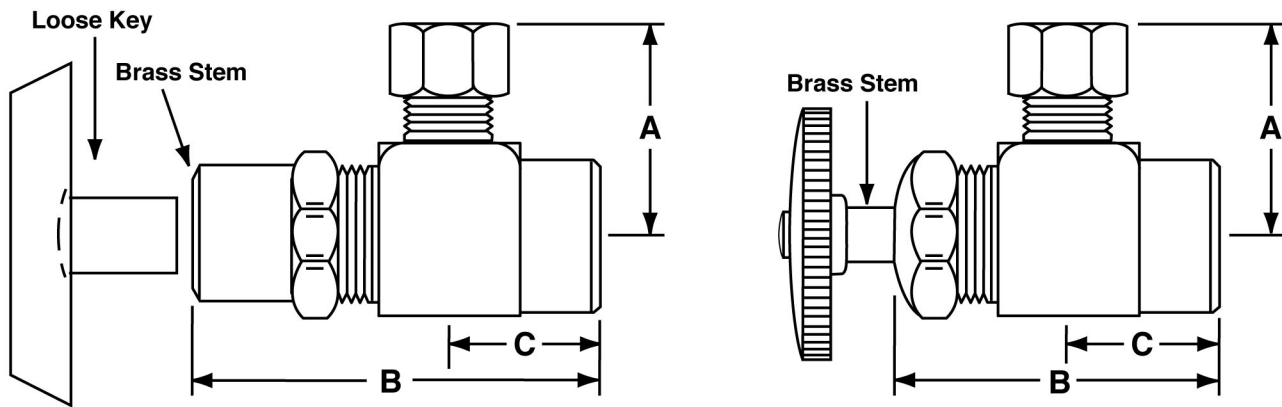
LFCK07

**Integral Check Valve
 Copper Sweat x O.D.**

Job Name:

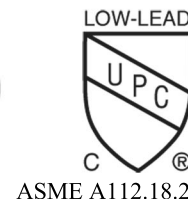
Submittal Number:

Sweat to Compression



NO.	DESCRIPTION	ROUGHING MEASUREMENTS		
		A	B	C
LFCK07	1/2" Copper Sweat x 3/8" O.D.	1-3/8"	2"	1"

LK designates *Loose Key*
 See options and accessories section for details on product variations.



Specifications:

Chrome plated brass supply stop valve with spring actuated integral check valve and full turn brass stem. Inlet shall be (3/8, 1/2) inch (IPS, sweat, compression). Outlet shall be (3/8, 1/2) inch (IPS, compression). Integral check supply stop valve shall be McGuire _____.
 Integral check supply stop valve shall be certified or recognized by testing authority and bear manufacturer and testing mark.



WARNING:

This product can expose you to chemicals including lead, which is known to the State of California to cause cancer, and birth defects or other reproductive harm. For more information go to www.P65Warnings.ca.gov.



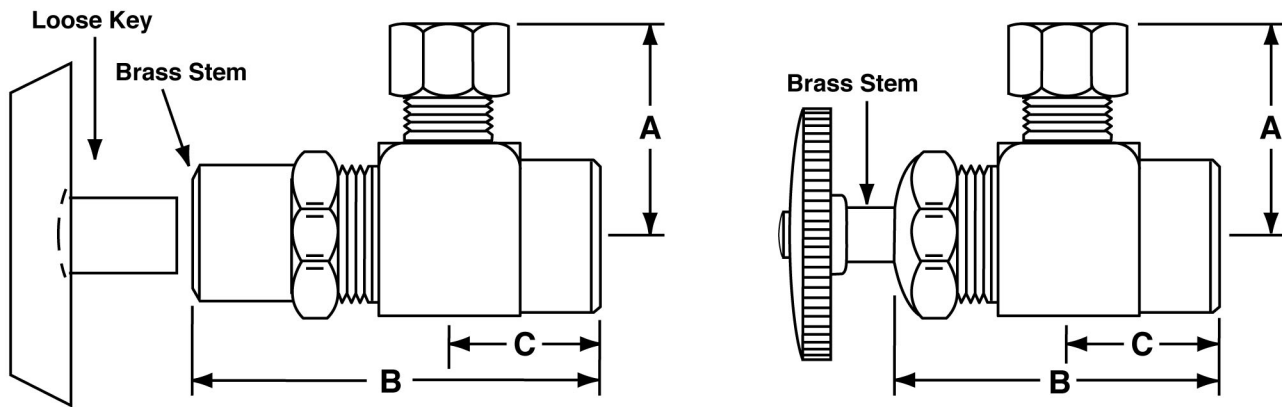
McGuire Manufacturing Co., Inc.
 60 Grandview Court
 Cheshire, Connecticut 06410
 (203) 699-1801 Fax (203) 699-1813
 customerservice@mcguiremfg.com mcguiremfg.com
PRODUCT SPECIFICATION

Part No.
LFCK07LK
Integral Check Valve
Copper Sweat x O.D.

Job Name:

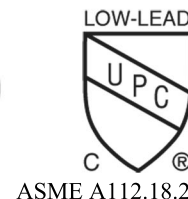
Submittal Number:

Sweat to Compression



NO.	DESCRIPTION	ROUGHING MEASUREMENTS		
		A	B	C
LFCK07LK	1/2" Copper Sweat x 3/8" O.D.	1-3/8"	2"	1"

LK designates *Loose Key*
 See options and accessories section for details on product variations.



Specifications:

Chrome plated brass supply stop valve with spring actuated integral check valve and full turn brass stem. Inlet shall be (3/8, 1/2) inch (IPS, sweat, compression). Outlet shall be (3/8, 1/2) inch (IPS, compression). Integral check supply stop valve shall be McGuire _____.
 Integral check supply stop valve shall be certified or recognized by testing authority and bear manufacturer and testing mark.

WARNING:

This product can expose you to chemicals including lead, which is known to the State of California to cause cancer, and birth defects or other reproductive harm. For more information go to www.P65Warnings.ca.gov.



McGuire Manufacturing Co., Inc.

60 Grandview Court
 Cheshire, Connecticut 06410
 (203) 699-1801 Fax (203) 699-1813
 customerservice@mcguiremfg.com mcguiremfg.com

PRODUCT SPECIFICATION

Part No.

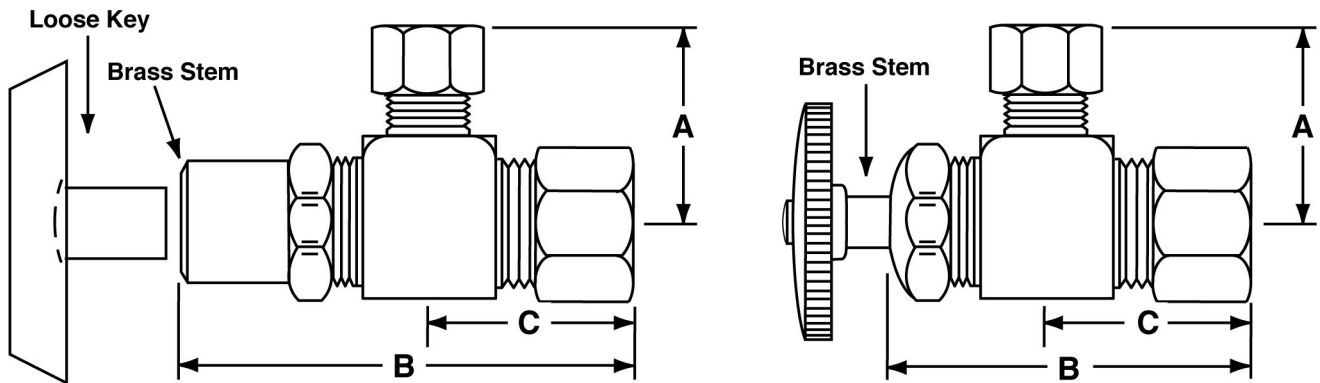
LFCK09

**Integral Check Valve
 Nominal x O.D.**

Job Name:

Submittal Number:

Compression to Compression



NO.	DESCRIPTION	ROUGHING MEASUREMENTS		
		A	B	C
LFCK09	1/2" Nominal x 3/8" O.D.	1-3/8"	2-1/4"	1-3/8"

LK designates *Loose Key*

See options and accessories section for details on product variations.



ASME A112.18.2

Specifications:

Chrome plated brass supply stop valve with spring actuated integral check valve and full turn brass stem. Inlet shall be (3/8, 1/2) inch (IPS, sweat, compression). Outlet shall be (3/8, 1/2) inch (IPS, compression). Integral check supply stop valve shall be McGuire _____.

Integral check supply stop valve shall be certified or recognized by testing authority and bear manufacturer and testing mark.



WARNING:

This product can expose you to chemicals including lead, which is known to the State of California to cause cancer, and birth defects or other reproductive harm. For more information go to www.P65Warnings.ca.gov.



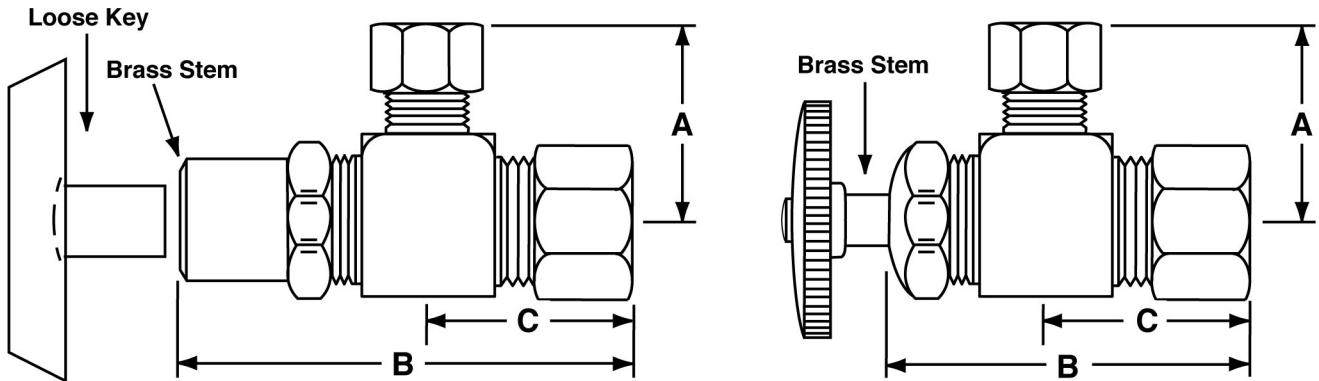
McGuire Manufacturing Co., Inc.
 60 Grandview Court
 Cheshire, Connecticut 06410
 (203) 699-1801 Fax (203) 699-1813
 customerservice@mcguiremfg.com mcguiremfg.com
PRODUCT SPECIFICATION

Part No.
LFCK09LK
Integral Check Valve
Nominal x O.D.

Job Name:

Submittal Number:

Compression to Compression



NO.	DESCRIPTION	ROUGHING MEASUREMENTS		
		A	B	C
LFCK09LK	1/2" Nominal x 3/8" O.D.	1-3/8"	2-1/4"	1-3/8"

LK designates *Loose Key*

See options and accessories section for details on product variations.



ASME A112.18.2

Specifications:

Chrome plated brass supply stop valve with spring actuated integral check valve and full turn brass stem. Inlet shall be (3/8, 1/2) inch (IPS, sweat, compression). Outlet shall be (3/8, 1/2) inch (IPS, compression). Integral check supply stop valve shall be McGuire _____.
 Integral check supply stop valve shall be certified or recognized by testing authority and bear manufacturer and testing mark.



WARNING:

This product can expose you to chemicals including lead, which is known to the State of California to cause cancer, and birth defects or other reproductive harm. For more information go to www.P65Warnings.ca.gov.



McGuire Manufacturing Co., Inc.

60 Grandview Court

Cheshire, Connecticut 06410

(203) 699-1801 Fax (203) 699-1813

customerservice@mcguiremfg.com mcguiremfg.com

PRODUCT SPECIFICATION

Part No.

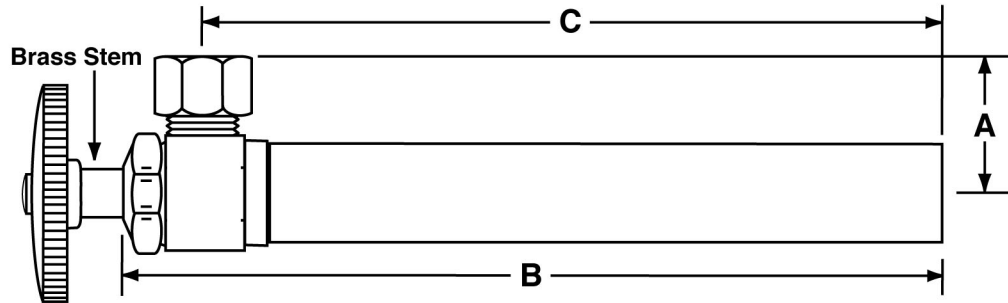
LFCK082

**Integral Check Valve
Sweat x O.D. w/ 5 " Ext.**

Job Name:

Submittal Number:

Sweat with 5" Extension To Compression



NO.	DESCRIPTION	ROUGHING MEASUREMENTS		
		A	B	C
LFCK082	1/2" Copper Sweat x 3/8" O.D.	1"	6"	5-1/2"

See options and accessories section for details on product variations.



ASME A112.18.2

Specifications:

Chrome plated brass supply stop valve with spring actuated integral check valve and full turn brass stem. Inlet shall be (3/8, 1/2) inch (IPS, sweat, compression). Outlet shall be (3/8, 1/2) inch (IPS, compression). Integral check supply stop valve shall be McGuire _____. Integral check supply stop valve shall be certified or recognized by testing authority and bear manufacturer and testing mark.



WARNING:

This product can expose you to chemicals including lead, which is known to the State of California to cause cancer, and birth defects or other reproductive harm. For more information go to www.P65Warnings.ca.gov.



McGuire Manufacturing Co., Inc.

60 Grandview Court
 Cheshire, Connecticut 06410
 (203) 699-1801 Fax (203) 699-1813
 customerservice@mcguiremfg.com mcguiremfg.com

PRODUCT SPECIFICATION

Part No.

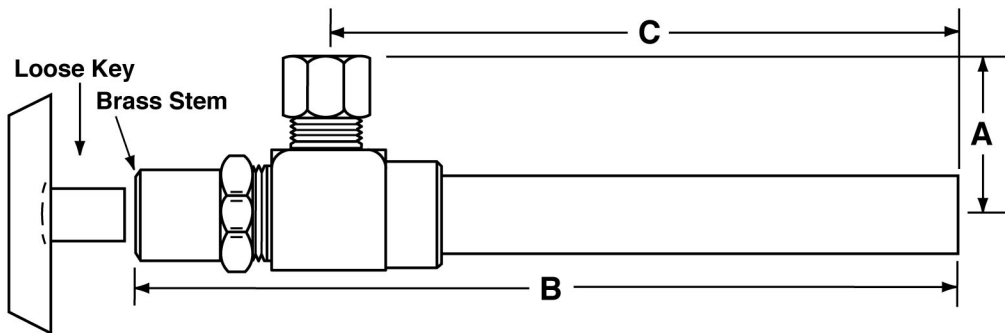
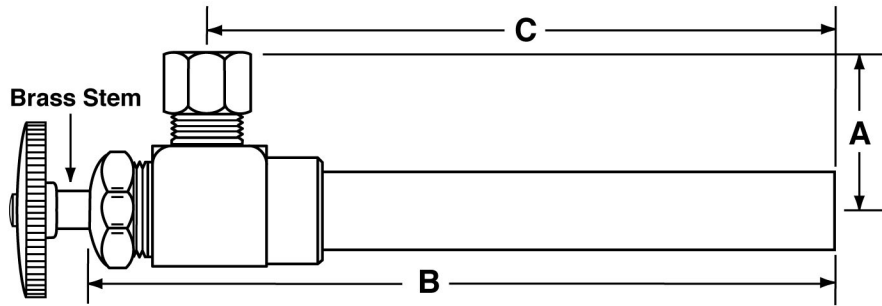
LFCK082LK

**Integral Check Valve
 Copper Sweat x O.D.**

Job Name:

Submittal Number:

Sweat with 5" Extension to Compression



NO.	DESCRIPTION	ROUGHING MEASUREMENTS		
		A	B	C
LFCK082LK	1/2" Copper Sweat x 3/8" O.D.	1-3/8"	7-7/16"	5-3/4"

LK designates *Loose Key*

* See options and accessories section for details on product variations.



Certified to NSF/ANSI 61 & 372



ASME A112.18.2

Specifications:

Chrome plated brass supply stop valve with spring actuated integral check valve and full turn brass stem. Inlet shall be (3/8, 1/2) inch (IPS, sweat, compression). Outlet shall be (3/8, 1/2) inch (IPS, compression). Integral check supply stop valve shall be McGuire _____ . Integral check supply stop valve shall be certified or recognized by testing authority and bear



WARNING:

This product can expose you to chemicals including lead, which is known to the State of California to cause cancer, and birth defects or other reproductive harm. For more information go to www.P65Warnings.ca.gov.



McGuire Manufacturing Co., Inc.

60 Grandview Court
 Cheshire, Connecticut 06410
 (203) 699-1801 Fax (203) 699-1813
 customerservice@mcguiremfg.com mcguiremfg.com

PRODUCT SPECIFICATION

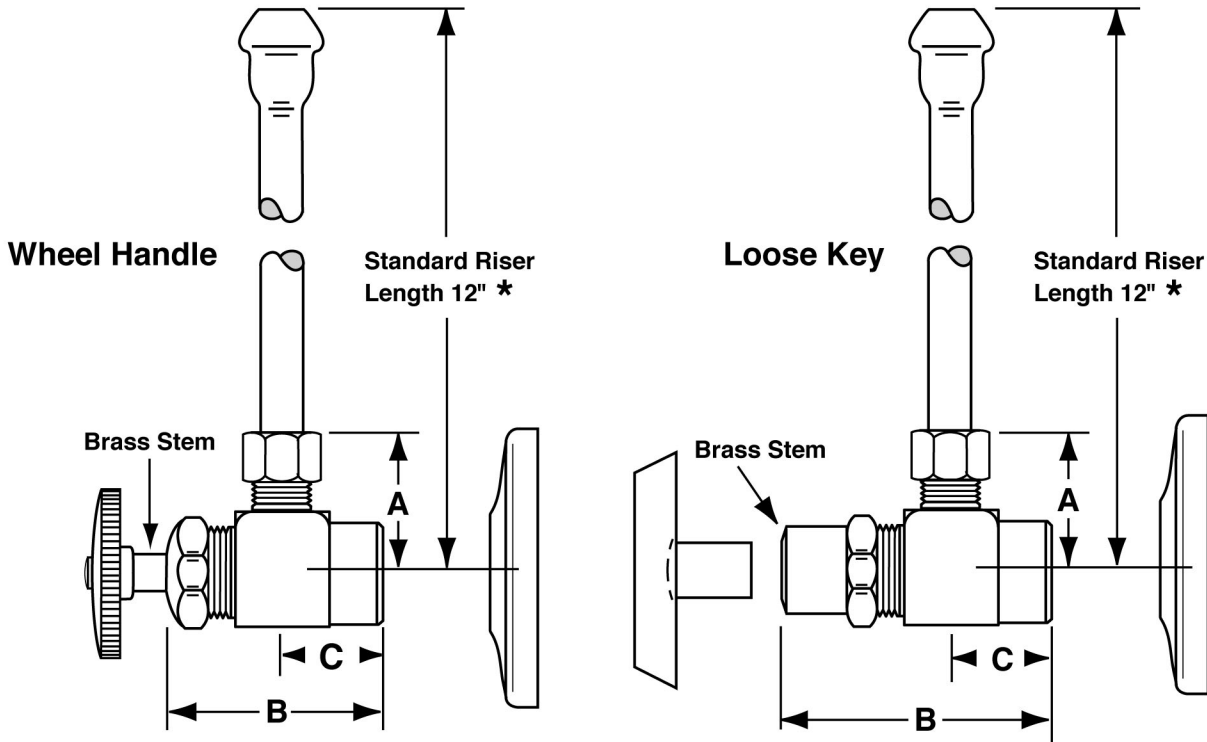
Part No.

LFCK165

**Integral Check Supply Kit
 3/8" I.P.S. x O.D.**

Job Name:

Submittal Number:



NO.	DESCRIPTION	ROUGHING MEASUREMENTS		
		A	B	C
LFCK165	3/8" I.P.S. x 3/8" O.D.	1-3/8"	1-15/16"	1"

LK designates Loose Key

* See options and accessories section for details on product variations.



Specifications:

Supply kit shall include lead free integral check chrome plated supply stop valves with full turn brass stem, no plastic, (12, 15, 20) inch chrome plated risers and (shallow, deep, bell) (steel, brass) or (forged brass with set screw) flange. Inlet shall be 3/8 inch IPS. Outlet shall be 3/8 inch compression. Supply kit shall be McGuire _____ . Supply shall be certified by recognized authority and bear manufacturer and testing mark.



WARNING:

This product can expose you to chemicals including lead, which is known to the State of California to cause cancer, and birth defects or other reproductive harm. For more information go to www.P65Warnings.ca.gov.



McGuire Manufacturing Co., Inc.

60 Grandview Court
 Cheshire, Connecticut 06410
 (203) 699-1801 Fax (203) 699-1813
 customerservice@mcguiremfg.com mcguiremfg.com

PRODUCT SPECIFICATION

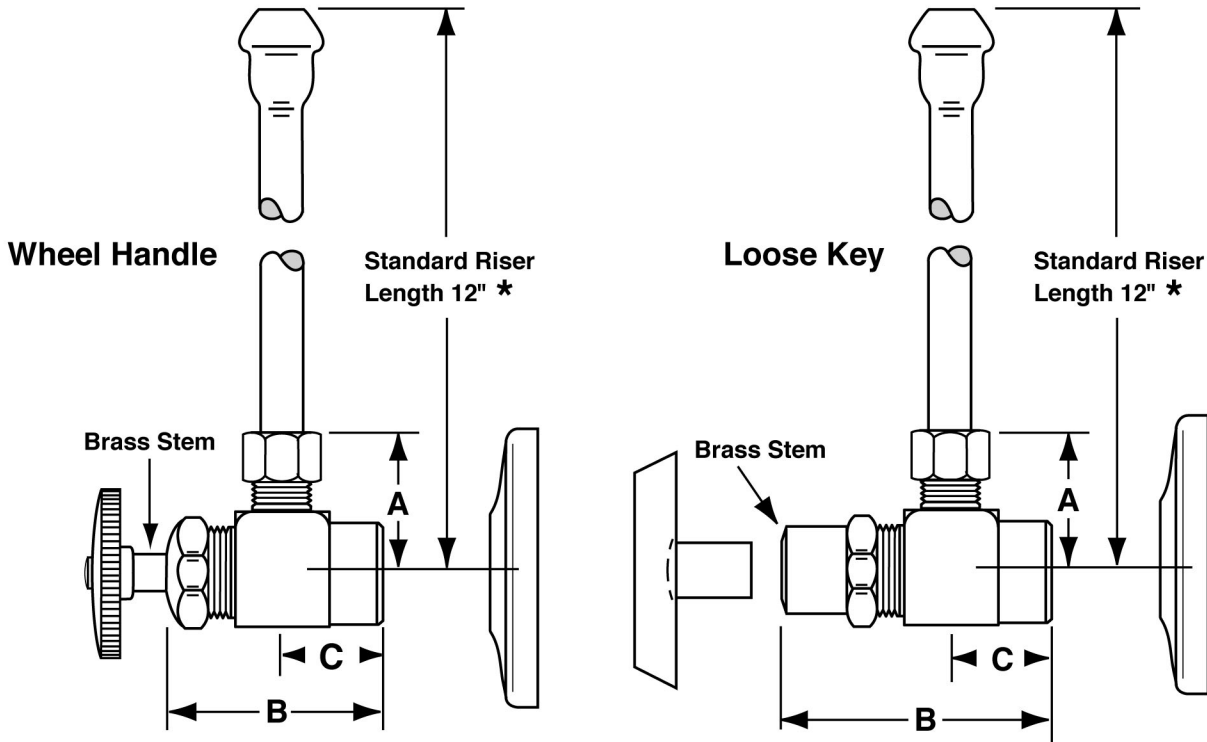
Part No.

LFCK165EA

**Integral Check Supply Kit
 3/8" I.P.S. x O.D.**

Job Name:

Submittal Number:



NO.	DESCRIPTION	ROUGHING MEASUREMENTS		
		A	B	C
LFCK165EA	3/8" I.P.S. x 3/8" O.D.	1-3/8"	1-15/16"	1"

LK designates Loose Key

* See options and accessories section for details on product variations.



Specifications:

Supply kit shall include lead free integral check chrome plated supply stop valves with full turn brass stem, no plastic, (12, 15, 20) inch chrome plated risers and (shallow, deep, bell) (steel, brass) or (forged brass with set screw) flange. Inlet shall be 3/8 inch IPS. Outlet shall be 3/8 inch compression. Supply kit shall be McGuire _____ . Supply shall be certified by recognized authority and bear manufacturer and testing mark.



WARNING:

This product can expose you to chemicals including lead, which is known to the State of California to cause cancer, and birth defects or other reproductive harm. For more information go to www.P65Warnings.ca.gov.



McGuire Manufacturing Co., Inc.

60 Grandview Court
 Cheshire, Connecticut 06410
 (203) 699-1801 Fax (203) 699-1813
 customerservice@mcguiremfg.com mcguiremfg.com

PRODUCT SPECIFICATION

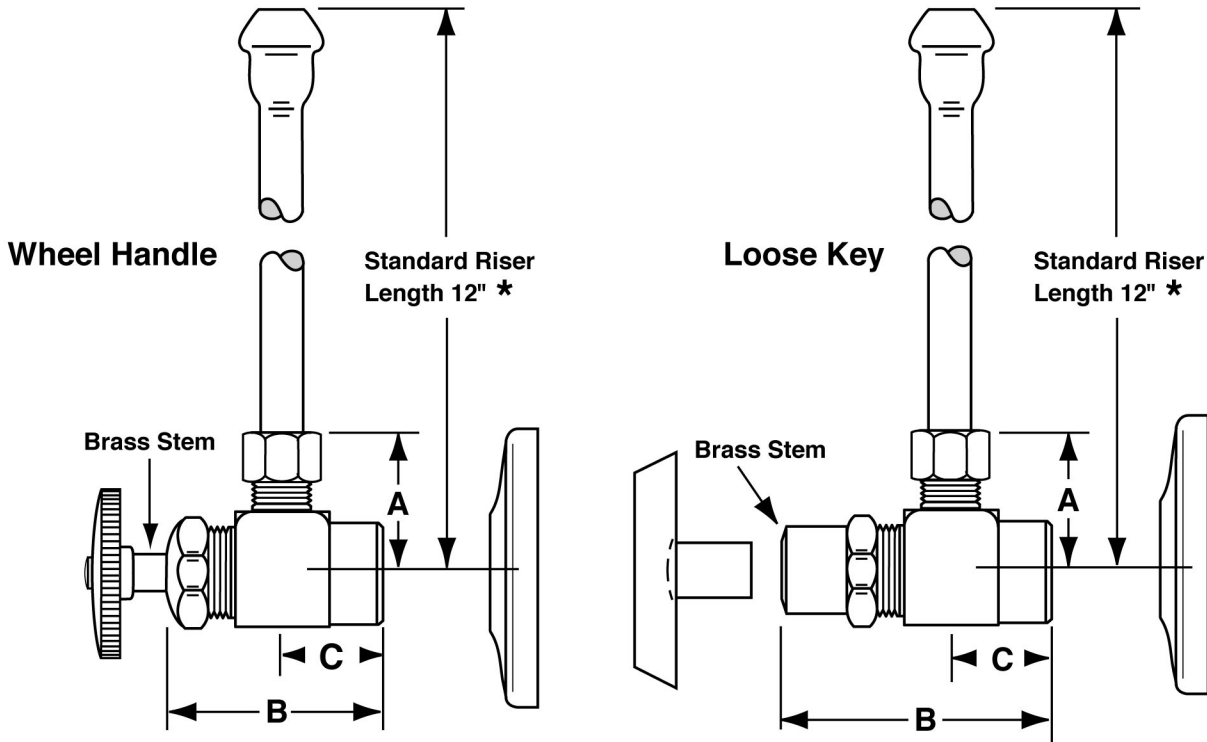
Part No.

LFCK165LK

**Integral Check Supply Kit
 3/8" I.P.S. x O.D.**

Job Name:

Submittal Number:



NO.	DESCRIPTION	ROUGHING MEASUREMENTS		
		A	B	C
LFCK165LK	3/8" I.P.S. x 3/8" O.D.	1-3/8"	1-15/16"	1"

LK designates Loose Key

* See options and accessories section for details on product variations.



Specifications:

Supply kit shall include lead free integral check chrome plated supply stop valves with full turn brass stem, no plastic, (12, 15, 20) inch chrome plated risers and (shallow, deep, bell) (steel, brass) or (forged brass with set screw) flange. Inlet shall be 3/8 inch IPS. Outlet shall be 3/8 inch compression. Supply kit shall be McGuire _____ . Supply shall be certified by recognized authority and bear manufacturer and testing mark.



WARNING:

This product can expose you to chemicals including lead, which is known to the State of California to cause cancer, and birth defects or other reproductive harm. For more information go to www.P65Warnings.ca.gov.



McGuire Manufacturing Co., Inc.

60 Grandview Court
 Cheshire, Connecticut 06410
 (203) 699-1801 Fax (203) 699-1813
 customerservice@mcguiremfg.com mcguiremfg.com

PRODUCT SPECIFICATION

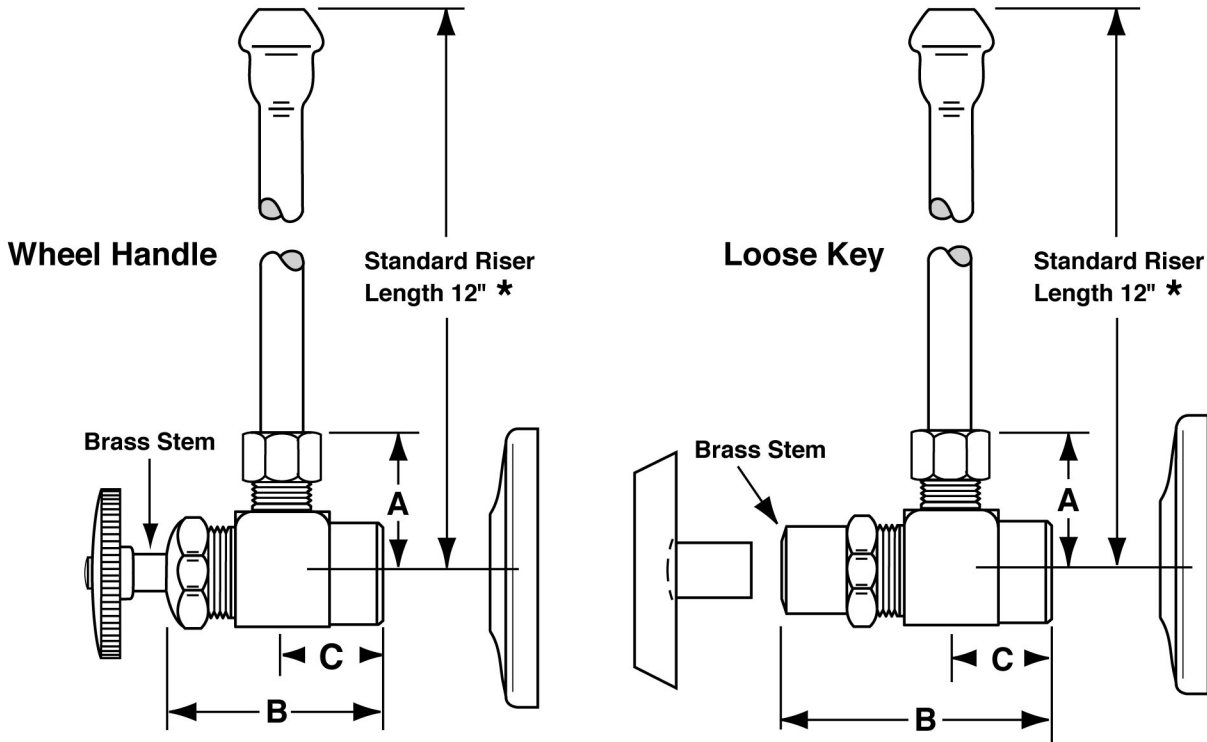
Part No.

LFCK165LKEA

**Integral Check Supply Kit
 3/8" I.P.S. x O.D.**

Job Name:

Submittal Number:



NO.	DESCRIPTION	ROUGHING MEASUREMENTS		
		A	B	C
LFCK165LKEA	3/8" I.P.S. x 3/8" O.D.	1-3/8"	1-15/16"	1"

LK designates Loose Key

* See options and accessories section for details on product variations.



Specifications:

Supply kit shall include lead free integral check chrome plated supply stop valves with full turn brass stem, no plastic, (12, 15, 20) inch chrome plated risers and (shallow, deep, bell) (steel, brass) or (forged brass with set screw) flange. Inlet shall be 3/8 inch IPS. Outlet shall be 3/8 inch compression. Supply kit shall be McGuire _____ . Supply shall be certified by recognized authority and bear manufacturer and testing mark.



WARNING:

This product can expose you to chemicals including lead, which is known to the State of California to cause cancer, and birth defects or other reproductive harm. For more information go to www.P65Warnings.ca.gov.



McGuire Manufacturing Co., Inc.

60 Grandview Court
 Cheshire, Connecticut 06410
 (203) 699-1801 Fax (203) 699-1813
 customerservice@mcguiremfg.com mcguiremfg.com

PRODUCT SPECIFICATION

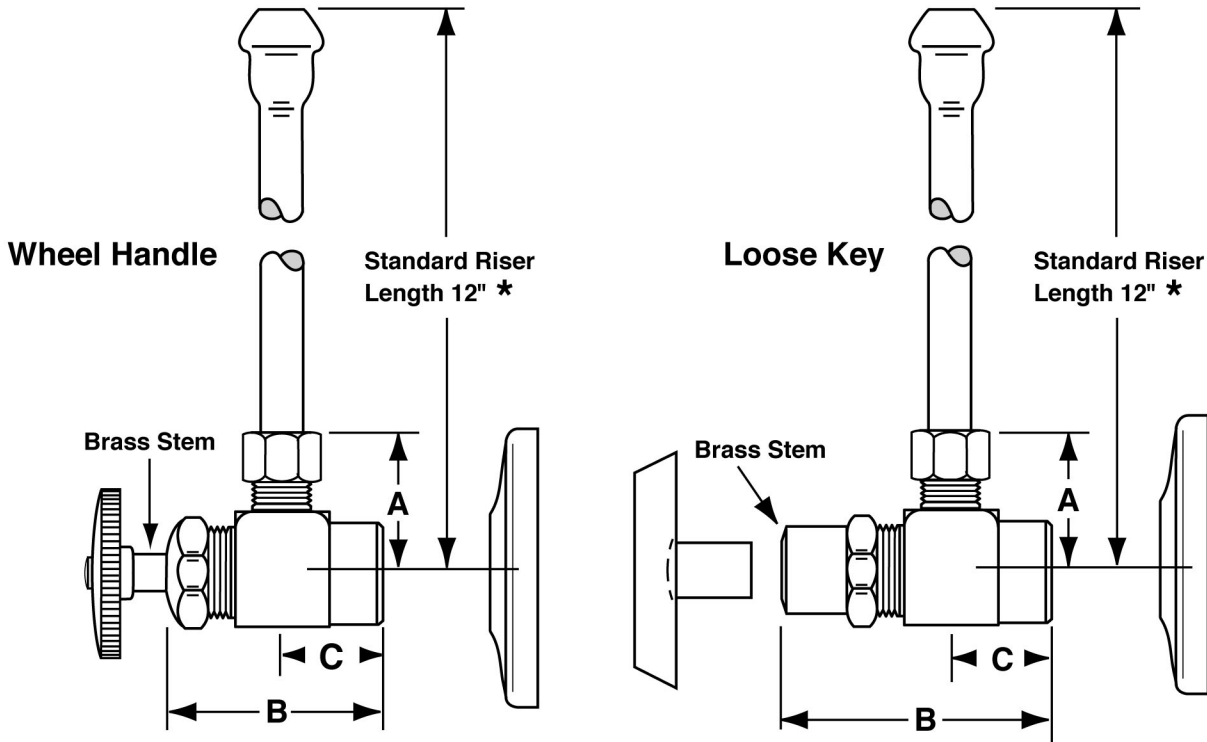
Part No.

LFCK167

**Integral Check Supply Kit
 3/8" I.P.S. x O.D.**

Job Name:

Submittal Number:



NO.	DESCRIPTION	ROUGHING MEASUREMENTS		
		A	B	C
LFCK167	3/8" I.P.S. x 1/2" O.D.	1-3/8"	1-15/16"	1"

LK designates Loose Key

* See options and accessories section for details on product variations.



Specifications:

Supply kit shall include lead free chrome plated integral check supply stop valves with full turn brass stem, no plastic, (12, 15, 20) inch chrome plated risers and (shallow, deep, bell) (steel, brass) or (forged brass with set screw) flange. Inlet shall be 3/8 inch IPS. Outlet shall be 3/8 inch compression. Supply kit shall be McGuire _____ . Supply shall be certified by recognized authority and bear manufacturer and testing mark.



WARNING:

This product can expose you to chemicals including lead, which is known to the State of California to cause cancer, and birth defects or other reproductive harm. For more information go to www.P65Warnings.ca.gov.



McGuire Manufacturing Co., Inc.

60 Grandview Court
 Cheshire, Connecticut 06410
 (203) 699-1801 Fax (203) 699-1813
 customerservice@mcguiremfg.com mcguiremfg.com

PRODUCT SPECIFICATION

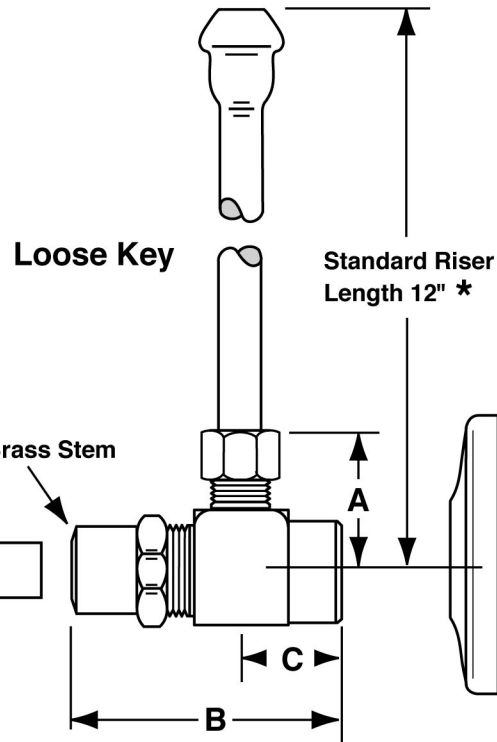
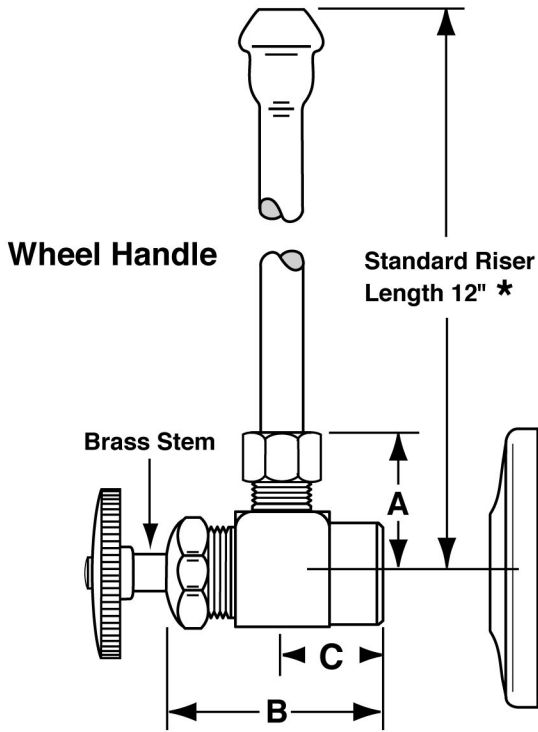
Part No.

LFCK167EA

**Integral Check Supply Kit
 3/8" I.P.S. x O.D.**

Job Name:

Submittal Number:



NO.	DESCRIPTION	ROUGHING MEASUREMENTS		
		A	B	C
LFCK167EA	3/8" I.P.S. x 1/2" O.D.	1-3/8"	1-15/16"	1"

LK designates Loose Key

* See options and accessories section for details on product variations.



Specifications:

Supply kit shall include lead free chrome plated integral check supply stop valves with full turn brass stem, no plastic, (12, 15, 20) inch chrome plated risers and (shallow, deep, bell) (steel, brass) or (forged brass with set screw) flange. Inlet shall be 3/8 inch IPS. Outlet shall be 3/8 inch compression. Supply kit shall be McGuire _____ . Supply shall be certified by recognized authority and bear manufacturer and testing mark.



WARNING:

This product can expose you to chemicals including lead, which is known to the State of California to cause cancer, and birth defects or other reproductive harm. For more information go to www.P65Warnings.ca.gov.



McGuire Manufacturing Co., Inc.

60 Grandview Court
 Cheshire, Connecticut 06410
 (203) 699-1801 Fax (203) 699-1813
 customerservice@mcguiremfg.com mcguiremfg.com

PRODUCT SPECIFICATION

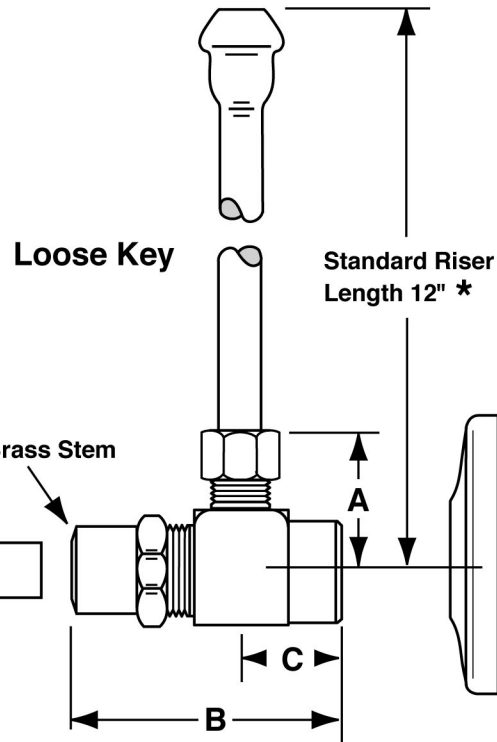
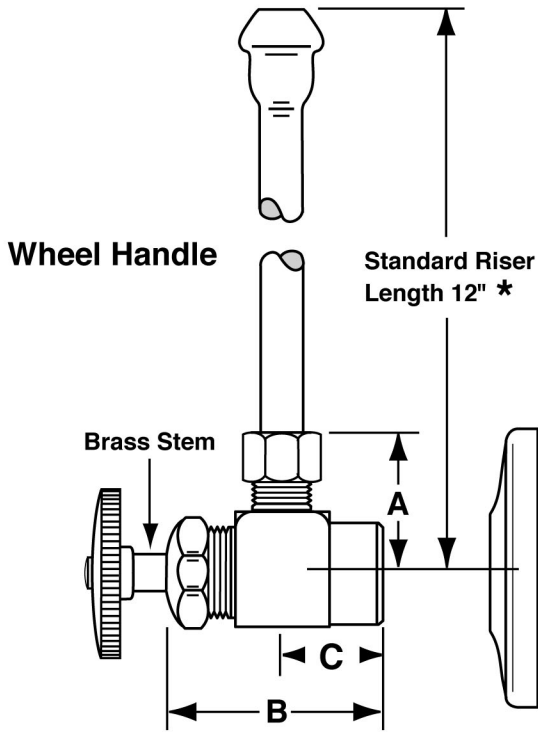
Part No.

LFCK167LK

**Integral Check Supply Kit
 3/8" I.P.S. x O.D.**

Job Name:

Submittal Number:



NO.	DESCRIPTION	ROUGHING MEASUREMENTS		
		A	B	C
LFCK167LK	3/8" I.P.S. x 1/2" O.D.	1-3/8"	1-15/16"	1"

LK designates Loose Key

* See options and accessories section for details on product variations.



Specifications:

Supply kit shall include lead free chrome plated integral check supply stop valves with full turn brass stem, no plastic, (12, 15, 20) inch chrome plated risers and (shallow, deep, bell) (steel, brass) or (forged brass with set screw) flange. Inlet shall be 3/8 inch IPS. Outlet shall be 3/8 inch compression. Supply kit shall be McGuire _____ . Supply shall be certified by recognized authority and bear manufacturer and testing mark.



WARNING:

This product can expose you to chemicals including lead, which is known to the State of California to cause cancer, and birth defects or other reproductive harm. For more information go to www.P65Warnings.ca.gov.



McGuire Manufacturing Co., Inc.

60 Grandview Court
 Cheshire, Connecticut 06410
 (203) 699-1801 Fax (203) 699-1813
 customerservice@mcguiremfg.com mcguiremfg.com

PRODUCT SPECIFICATION

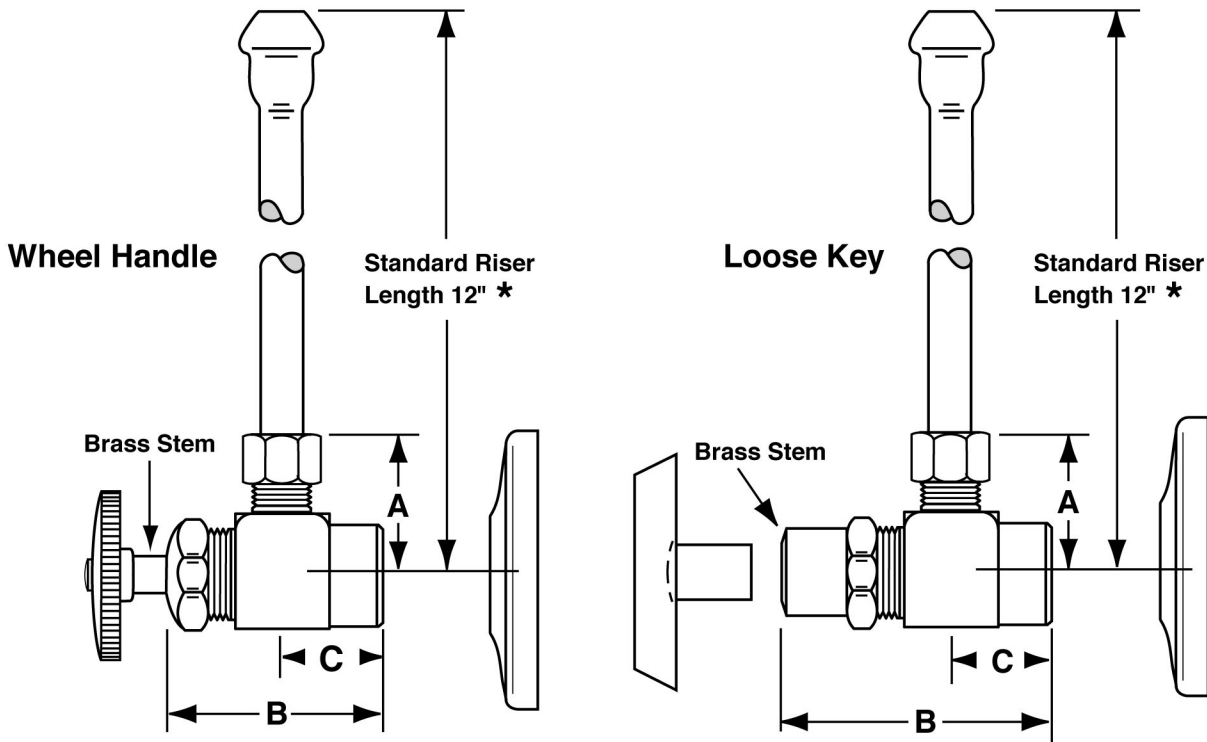
Part No.

LFCK167LKEA

**Integral Check Supply Kit
 3/8" I.P.S. x O.D.**

Job Name:

Submittal Number:



NO.	DESCRIPTION	ROUGHING MEASUREMENTS		
		A	B	C
LFCK167LKEA	3/8" I.P.S. x 1/2" O.D.	1-3/8"	1-15/16"	1"

LK designates Loose Key

* See options and accessories section for details on product variations.



Specifications:

Supply kit shall include lead free chrome plated integral check supply stop valves with full turn brass stem, no plastic, (12, 15, 20) inch chrome plated risers and (shallow, deep, bell) (steel, brass) or (forged brass with set screw) flange. Inlet shall be 3/8 inch IPS. Outlet shall be 3/8 inch compression. Supply kit shall be McGuire _____ . Supply shall be certified by recognized authority and bear manufacturer and testing mark.



WARNING:

This product can expose you to chemicals including lead, which is known to the State of California to cause cancer, and birth defects or other reproductive harm. For more information go to www.P65Warnings.ca.gov.

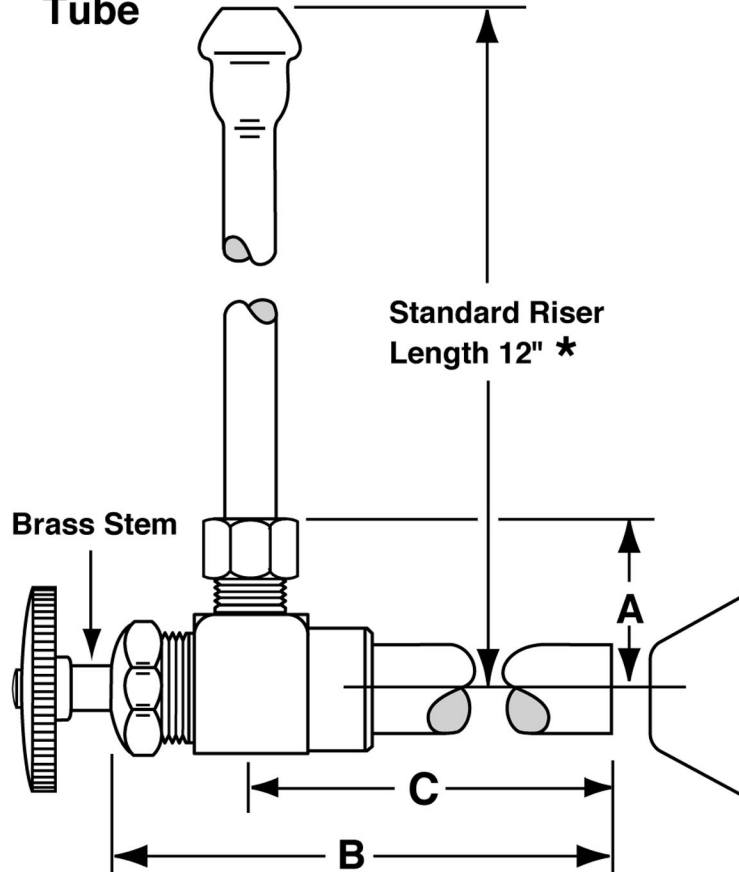


McGuire Manufacturing Co., Inc.
 60 Grandview Court
 Cheshire, Connecticut 06410
 (203) 699-1801 Fax (203) 699-1813
 customerservice@mcguiremfg.com mcguiremfg.com
PRODUCT SPECIFICATION

Part No.
LFCK170
Integral Check Supply Kit
w/5" Sweat Extension

Job Name: _____ **Submittal Number:** _____

**Wheel Handle
 w/ 5" Extension
 Tube**



NO.	DESCRIPTION	ROUGHING MEASUREMENTS		
		A	B	C
LFCK170	1/2" Sweat x 3/8" O.D.	1"	6-1/4"	5-1/2"

LK designates *Loose Key*

* See options and accessories section for details on product variations.



Specifications:

Supply kit shall include lead free chrome plated brass integral check supply stop valves with full turn brass stem, no plastic, (12, 15, 20) inch chrome plated risers and (shallow, deep, bell) (steel, brass) or (forged brass with set screw) flange. Inlet shall be 1/2 inch (IPS, sweat, compression). Outlet shall be 3/8 inch (IPS, compression). Supply kit shall be McGuire _____. Supply shall be certified by recognized authority and bear manufacturer and testing mark.



WARNING:

This product can expose you to chemicals including lead, which is known to the State of California to cause cancer, and birth defects or other reproductive harm. For more information go to www.P65Warnings.ca.gov.



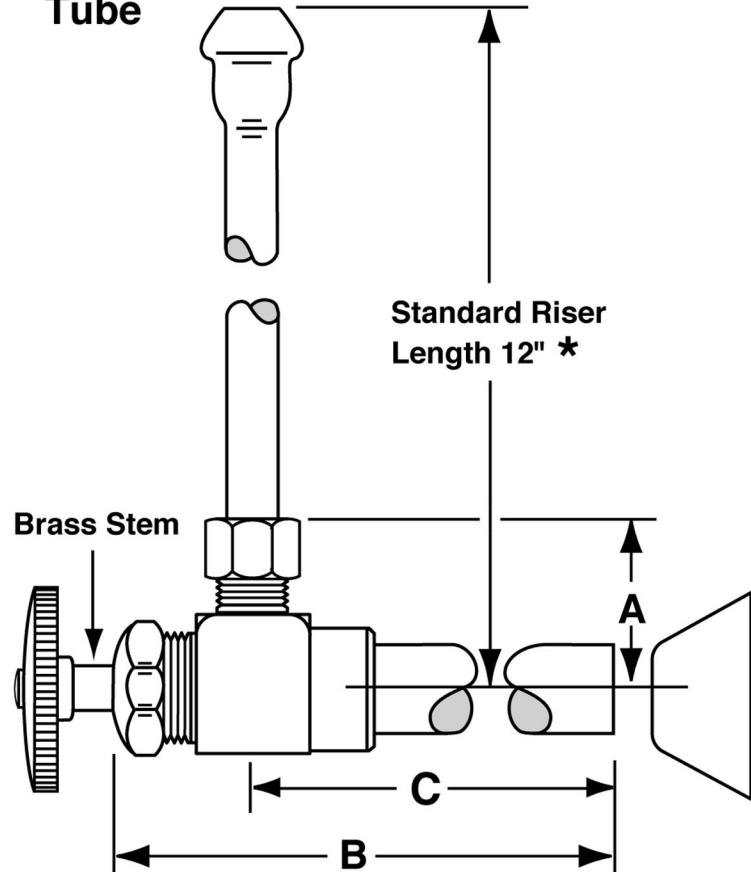
McGuire Manufacturing Co., Inc.
 60 Grandview Court
 Cheshire, Connecticut 06410
 (203) 699-1801 Fax (203) 699-1813
 customerservice@mcguiremfg.com mcguiremfg.com
PRODUCT SPECIFICATION

Part No.
LFCK170EA
Integral Check Supply Kit
w/5" Sweat Extension

Job Name:

Submittal Number:

**Wheel Handle
 w/ 5" Extension
 Tube**



NO.	DESCRIPTION	ROUGHING MEASUREMENTS		
		A	B	C
LFCK170EA	1/2" Sweat x 3/8" O.D.	1"	6-1/4"	5-1/2"

LK designates *Loose Key*

* See options and accessories section for details on product variations.



Specifications:

Supply kit shall include lead free chrome plated brass integral check supply stop valves with full turn brass stem, no plastic, (12, 15, 20) inch chrome plated risers and (shallow, deep, bell) (steel, brass) or (forged brass with set screw) flange. Inlet shall be 1/2 inch (IPS, sweat, compression). Outlet shall be 3/8 inch (IPS, compression). Supply kit shall be McGuire _____. Supply shall be certified by recognized authority and bear manufacturer and testing mark.



WARNING:

This product can expose you to chemicals including lead, which is known to the State of California to cause cancer, and birth defects or other reproductive harm. For more information go to www.P65Warnings.ca.gov.

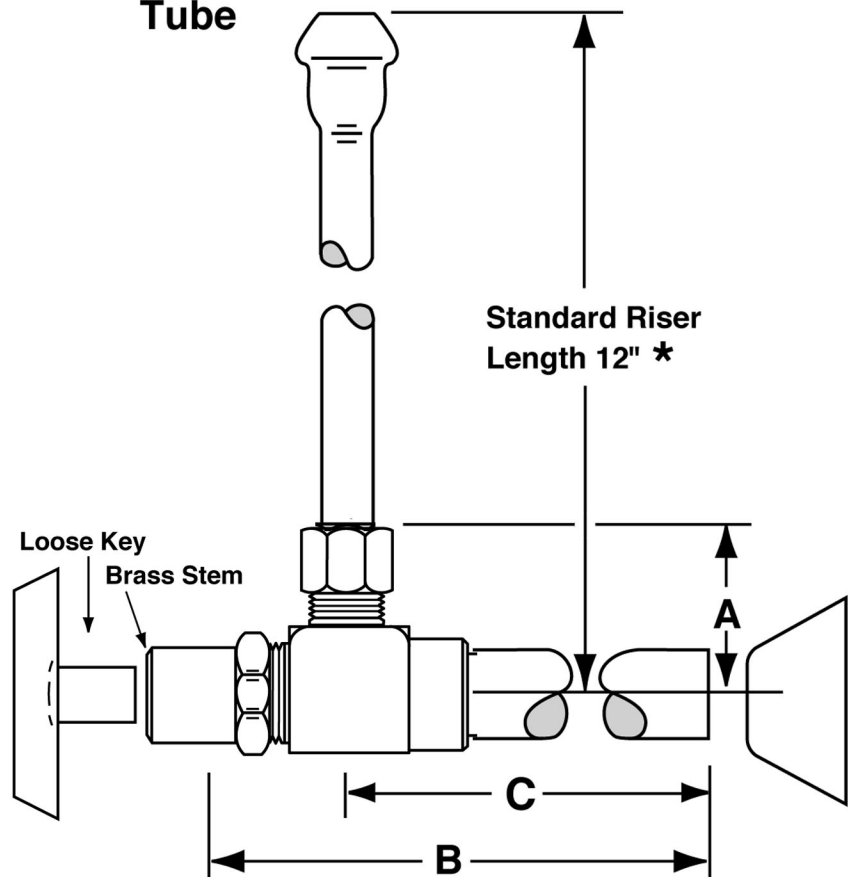


McGuire Manufacturing Co., Inc.
 60 Grandview Court
 Cheshire, Connecticut 06410
 (203) 699-1801 Fax (203) 699-1813
 customerservice@mcguiremfg.com mcguiremfg.com
PRODUCT SPECIFICATION

Part No.
LFCK170LK
Integral Check Supply Kit
w/5" Sweat Extension

Job Name: _____ **Submittal Number:** _____

**Wheel Handle
 w/ 5" Extension
 Tube**



NO.	DESCRIPTION	ROUGHING MEASUREMENTS		
		A	B	C
LFCK170LK	1/2" Sweat x 3/8" O.D.	1"	6-1/4"	5-1/2"

LK designates *Loose Key*

* See options and accessories section for details on product variations.



Specifications:

Supply kit shall include lead free chrome plated brass integral check supply stop valves with full turn brass stem, no plastic, (12, 15, 20) inch chrome plated risers and (shallow, deep, bell) (steel, brass) or (forged brass with set screw) flange. Inlet shall be 1/2 inch (IPS, sweat, compression). Outlet shall be 3/8 inch (IPS, compression). Supply kit shall be McGuire _____. Supply shall be certified by recognized authority and bear manufacturer and testing mark.

! WARNING:
 This product can expose you to chemicals including lead, which is known to the State of California to cause cancer, and birth defects or other reproductive harm. For more information go to www.P65Warnings.ca.gov.

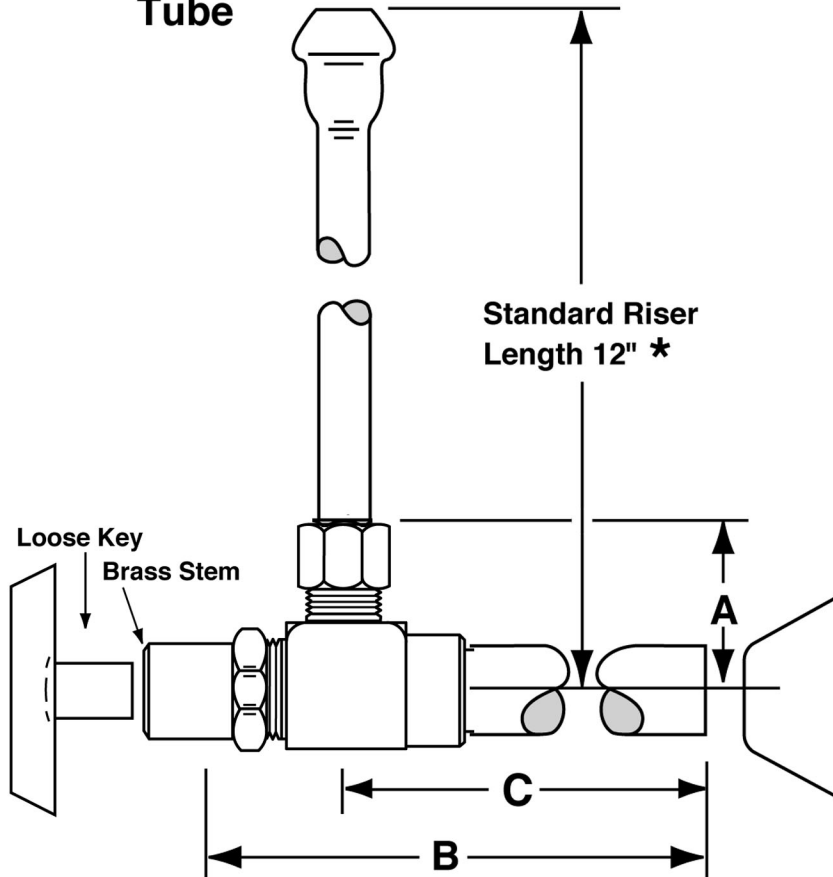


McGuire Manufacturing Co., Inc.
 60 Grandview Court
 Cheshire, Connecticut 06410
 (203) 699-1801 Fax (203) 699-1813
 customerservice@mcguiremfg.com mcguiremfg.com
PRODUCT SPECIFICATION

Part No.
LFCK170LKEA
Integral Check Supply Kit
w/5" Sweat Extension

Job Name: _____ **Submittal Number:** _____

**Wheel Handle
 w/ 5" Extension
 Tube**



NO.	DESCRIPTION	ROUGHING MEASUREMENTS		
		A	B	C
LFCK170LKEA	1/2" Sweat x 3/8" O.D.	1"	6-1/4"	5-1/2"

LK designates *Loose Key*

* See options and accessories section for details on product variations.



Specifications:

Supply kit shall include lead free chrome plated brass integral check supply stop valves with full turn brass stem, no plastic, (12, 15, 20) inch chrome plated risers and (shallow, deep, bell) (steel, brass) or (forged brass with set screw) flange. Inlet shall be 1/2 inch (IPS, sweat, compression). Outlet shall be 3/8 inch (IPS, compression). Supply kit shall be McGuire _____. Supply shall be certified by recognized authority and bear manufacturer and testing mark.



WARNING:

This product can expose you to chemicals including lead, which is known to the State of California to cause cancer, and birth defects or other reproductive harm. For more information go to www.P65Warnings.ca.gov.



McGuire Manufacturing Co., Inc.

60 Grandview Court
 Cheshire, Connecticut 06410
 (203) 699-1801 Fax (203) 699-1813
 customerservice@mcguiremfg.com mcguiremfg.com

PRODUCT SPECIFICATION

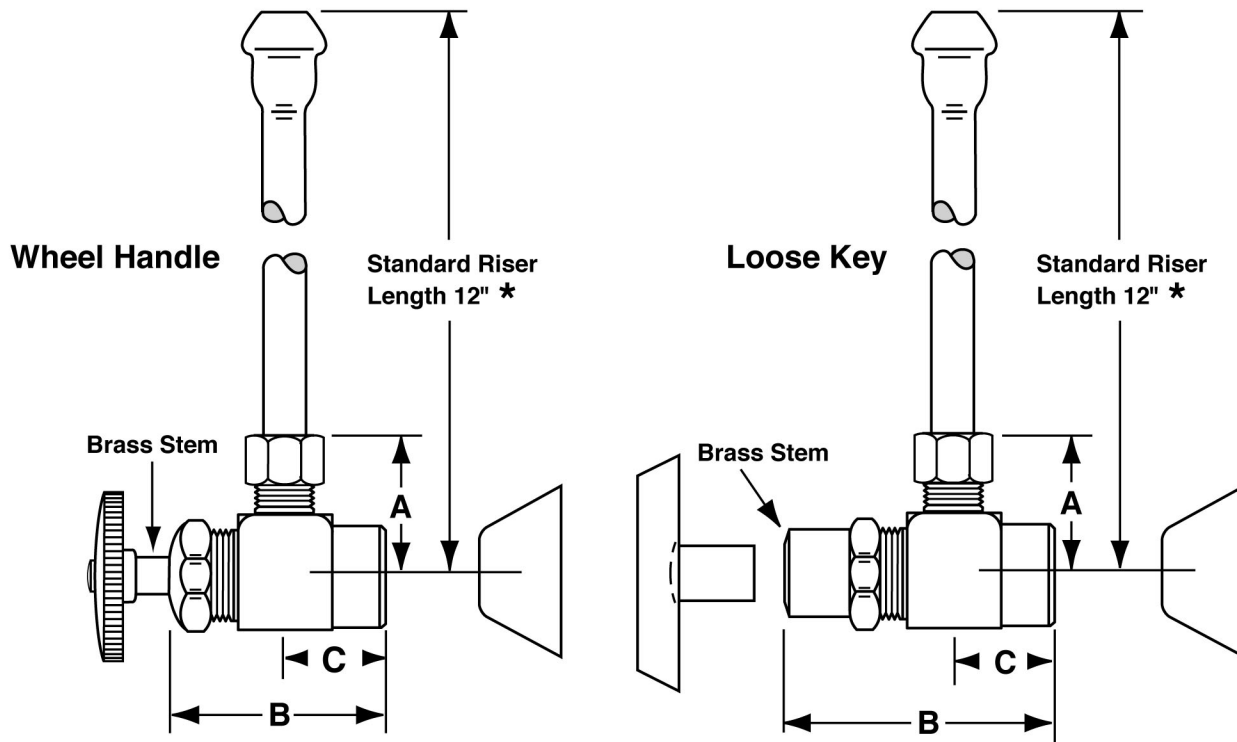
Part No.

LFCK175

**Integral Check Supply Kit
 Sweat to Compression**

Job Name:

Submittal Number:



NO.	DESCRIPTION	ROUGHING MEASUREMENTS		
		A	B	C
LFCK175	1/2" Sweat x 3/8" O.D.	1-3/8"	2"	1"

LK designates *Loose Key*

* See options and accessories section for details on product variations.



Specifications:

Supply kit shall include lead free chrome plated integral check supply stop valves with full turn brass stem, no plastic, (12, 15, 20) inch chrome plated risers and (shallow, deep, bell) (steel, brass) or (forged brass with set screw) flange. Inlet shall be 1/2 inch sweat. Outlet shall be 3/8 inch compression. Supply kit shall be McGuire _____ . Supply shall be certified by recognized authority and bear manufacturer and testing mark.



WARNING:

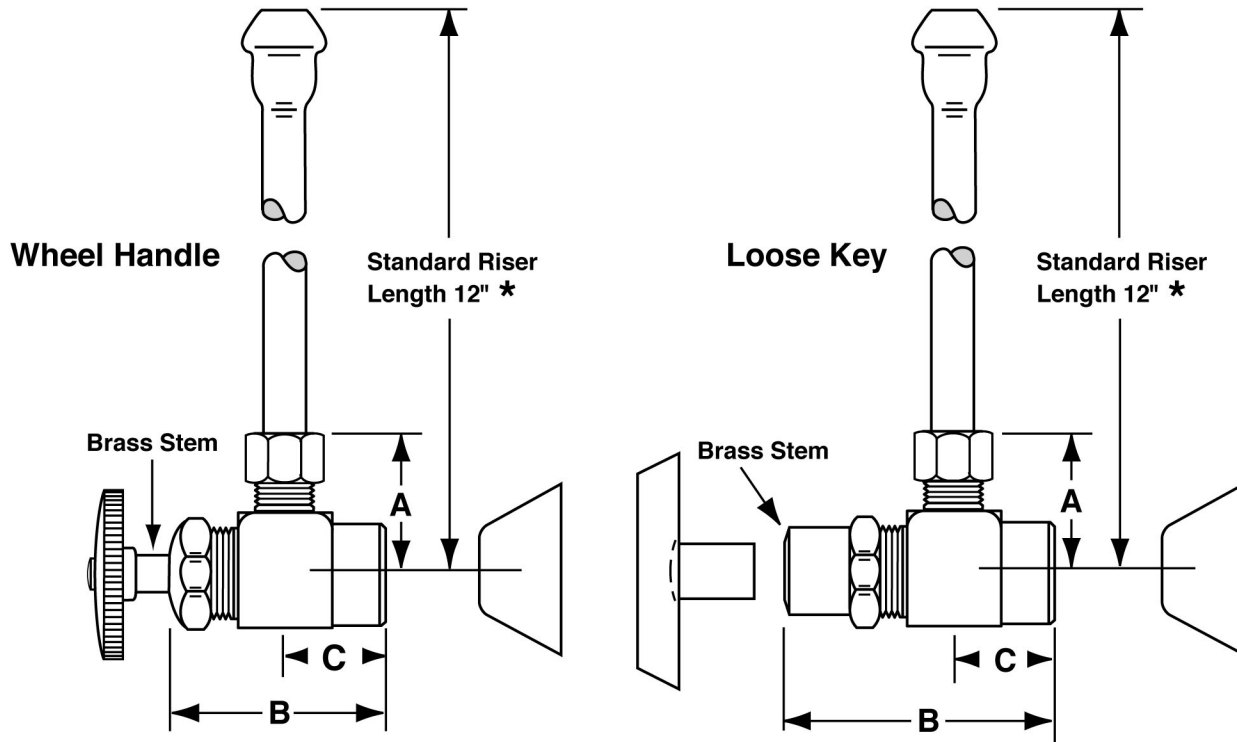
This product can expose you to chemicals including lead, which is known to the State of California to cause cancer, and birth defects or other reproductive harm. For more information go to www.P65Warnings.ca.gov.



McGuire Manufacturing Co., Inc.
 60 Grandview Court
 Cheshire, Connecticut 06410
 (203) 699-1801 Fax (203) 699-1813
 customerservice@mcguiremfg.com mcguiremfg.com
PRODUCT SPECIFICATION

Part No.
LFCK175EA
Integral Check Supply Kit
Sweat to Compression

Job Name: _____ **Submittal Number:** _____



NO.	DESCRIPTION	ROUGHING MEASUREMENTS		
		A	B	C
LFCK175EA	1/2" Sweat x 3/8" O.D.	1-3/8"	2"	1"

LK designates *Loose Key*

* See options and accessories section for details on product variations.



Specifications:

Supply kit shall include lead free chrome plated integral check supply stop valves with full turn brass stem, no plastic, (12, 15, 20) inch chrome plated risers and (shallow, deep, bell) (steel, brass) or (forged brass with set screw) flange. Inlet shall be 1/2 inch sweat. Outlet shall be 3/8 inch compression. Supply kit shall be McGuire _____ . Supply shall be certified by recognized authority and bear manufacturer and testing mark.



WARNING:

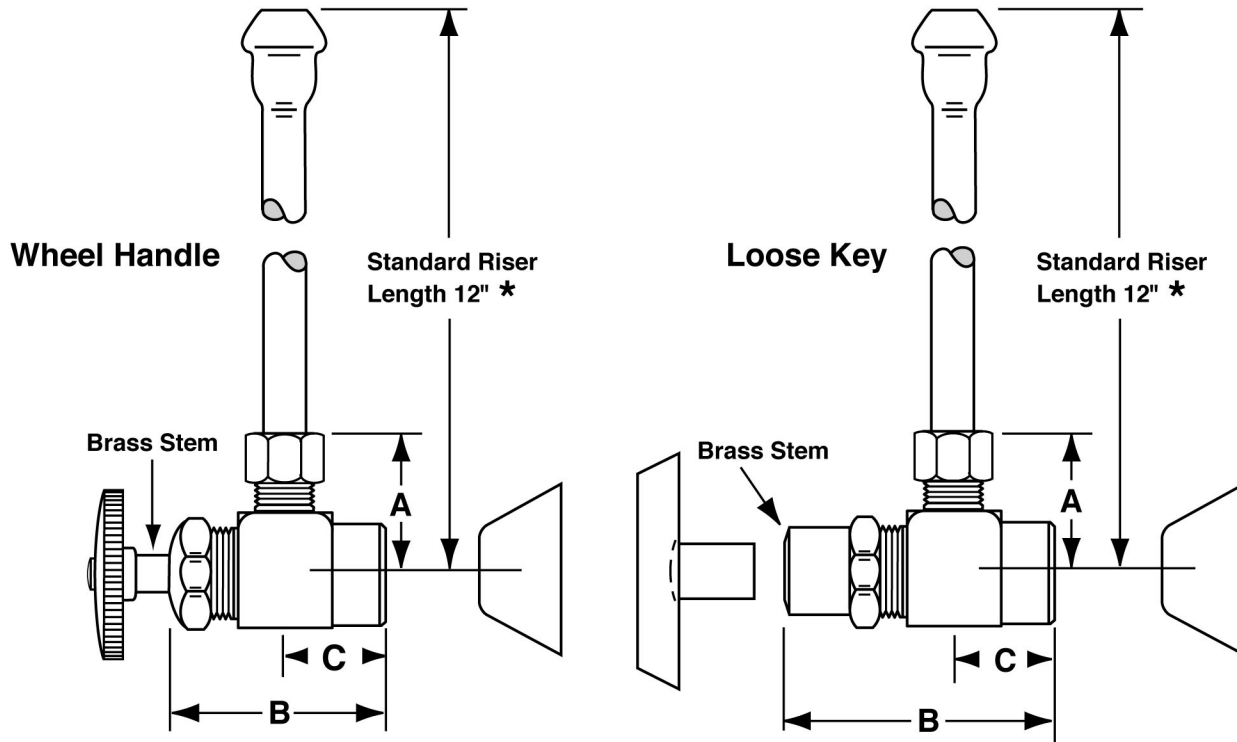
This product can expose you to chemicals including lead, which is known to the State of California to cause cancer, and birth defects or other reproductive harm. For more information go to www.P65Warnings.ca.gov.



McGuire Manufacturing Co., Inc.
 60 Grandview Court
 Cheshire, Connecticut 06410
 (203) 699-1801 Fax (203) 699-1813
 customerservice@mcguiremfg.com mcguiremfg.com
PRODUCT SPECIFICATION

Part No.
LFCK175LK
Integral Check Supply Kit
Sweat to Compression

Job Name: _____ **Submittal Number:** _____



NO.	DESCRIPTION	ROUGHING MEASUREMENTS		
		A	B	C
LFCK175LK	1/2" Sweat x 3/8" O.D.	1-3/8"	2"	1"

LK designates *Loose Key*

* See options and accessories section for details on product variations.



Specifications:

Supply kit shall include lead free chrome plated integral check supply stop valves with full turn brass stem, no plastic, (12, 15, 20) inch chrome plated risers and (shallow, deep, bell) (steel, brass) or (forged brass with set screw) flange. Inlet shall be 1/2 inch sweat. Outlet shall be 3/8 inch compression. Supply kit shall be McGuire _____ . Supply shall be certified by recognized authority and bear manufacturer and testing mark.



WARNING:

This product can expose you to chemicals including lead, which is known to the State of California to cause cancer, and birth defects or other reproductive harm. For more information go to www.P65Warnings.ca.gov.



McGuire Manufacturing Co., Inc.

60 Grandview Court
 Cheshire, Connecticut 06410
 (203) 699-1801 Fax (203) 699-1813
 customerservice@mcguiremfg.com mcguiremfg.com

PRODUCT SPECIFICATION

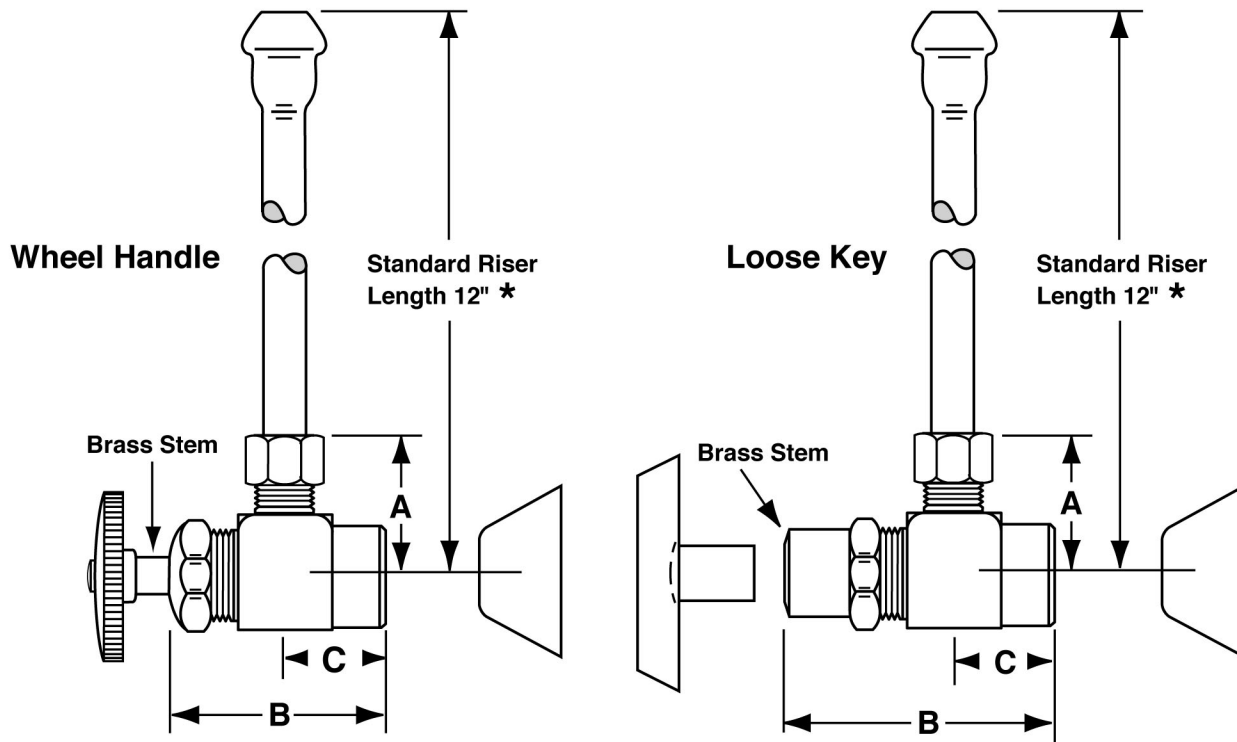
Part No.

LFCK175LKEA

**Integral Check Supply Kit
 Sweat to Compression**

Job Name:

Submittal Number:



NO.	DESCRIPTION	ROUGHING MEASUREMENTS		
		A	B	C
LFCK175LKEA	1/2" Sweat x 3/8" O.D.	1-3/8"	2"	1"

LK designates *Loose Key*

* See options and accessories section for details on product variations.



Specifications:

Supply kit shall include lead free chrome plated integral check supply stop valves with full turn brass stem, no plastic, (12, 15, 20) inch chrome plated risers and (shallow, deep, bell) (steel, brass) or (forged brass with set screw) flange. Inlet shall be 1/2 inch sweat. Outlet shall be 3/8 inch compression. Supply kit shall be McGuire _____ . Supply shall be certified by recognized authority and bear manufacturer and testing mark.



WARNING:

This product can expose you to chemicals including lead, which is known to the State of California to cause cancer, and birth defects or other reproductive harm. For more information go to www.P65Warnings.ca.gov.

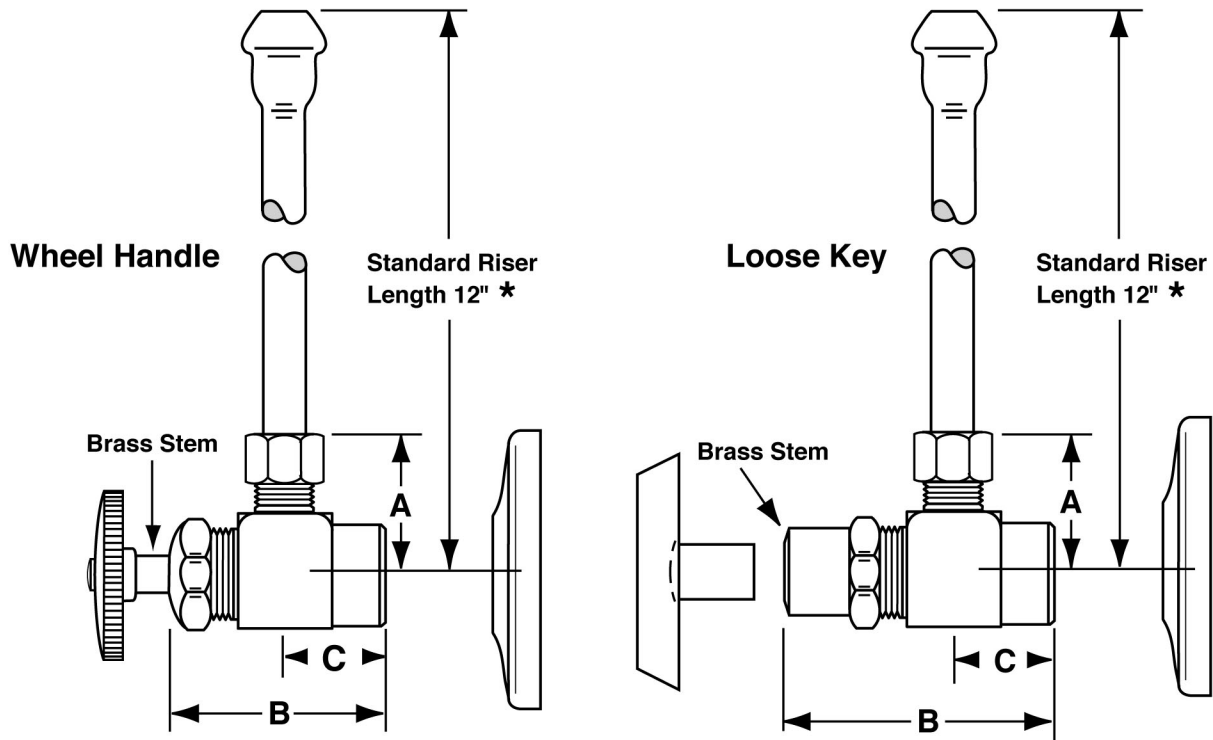


McGuire Manufacturing Co., Inc.
 60 Grandview Court
 Cheshire, Connecticut 06410
 (203) 699-1801 Fax (203) 699-1813
 customerservice@mcguiremfg.com mcguiremfg.com
PRODUCT SPECIFICATION

Part No.
LFCK2165
Integral Check Supply Kit
1/2" I.P.S. x O.D.

Job Name: _____

Submittal Number: _____



NO.	DESCRIPTION	ROUGHING MEASUREMENTS		
		A	B	C
LFCK2165	1/2" I.P.S. x 3/8" O.D.	1-3/8"	1-15/16"	1"

LK designates Loose Key

* See options and accessories section for details on product variations.



Specifications:

Supply kit shall include lead free integral check chrome plated brass stops with full turn brass stem, no plastic, (12, 15, 20) inch chrome plated copper risers and (shallow, deep, bell) (steel or brass) or (forged brass with set screw) flange. Inlet shall be (3/8, 1/2) inch (IPS, sweat, compression). Outlet shall be (3/8, 1/2) inch (IPS, compression). Supply kit shall be McGuire _____. Supply kit shall be certified by recognized authority and bear manufacturer and testing mark.

! WARNING:
 This product can expose you to chemicals including lead, which is known to the State of California to cause cancer, and birth defects or other reproductive harm. For more information go to www.P65Warnings.ca.gov.



McGuire Manufacturing Co., Inc.

60 Grandview Court
 Cheshire, Connecticut 06410
 (203) 699-1801 Fax (203) 699-1813
 customerservice@mcguiremfg.com mcguiremfg.com

PRODUCT SPECIFICATION

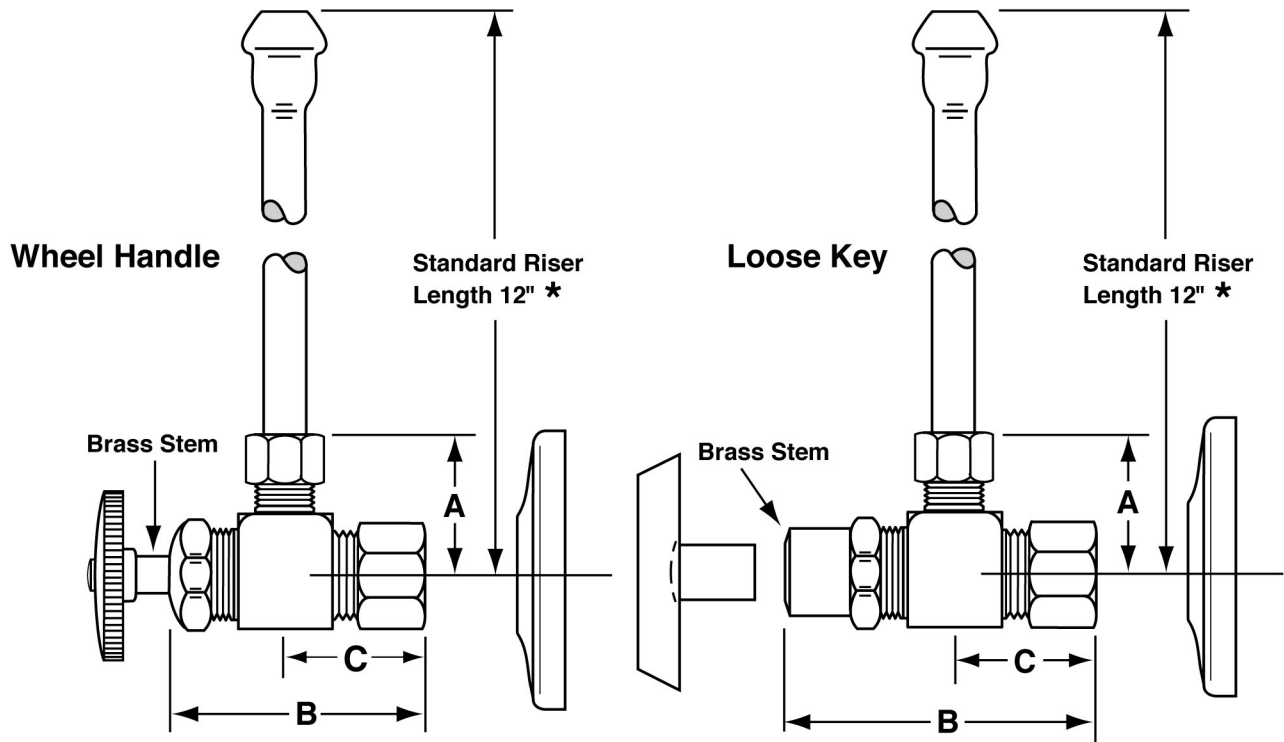
Part No.

LFCK2165CC

**Integral Check Supply Kit
 1/2" Nominal x O.D.**

Job Name:

Submittal Number:



NO.	DESCRIPTION	ROUGHING MEASUREMENTS		
		A	B	C
LFCK2165CC	1/2" Nominal x 3/8" O.D.	1-3/8"	2-1/4"	1-3/8"

LK designates Loose Key

* See options and accessories section for details on product variations.



Specifications:

Supply kit shall include lead free chrome plated integral check supply brass stop valves with full turn brass stem, no plastic, (12, 15, 20) inch chrome plated risers and (shallow, deep, bell) (steel, brass) or (forged brass with set screw) flange. Inlet shall be (3/8, 1/2) inch compression. Outlet shall be (3/8, 1/2) inch compression.

Supply kit shall be McGuire _____. Supply kit shall be certified by recognized authority and bear manufacturer and testing mark.



WARNING:

This product can expose you to chemicals including lead, which is known to the State of California to cause cancer, and birth defects or other reproductive harm. For more information go to www.P65Warnings.ca.gov.



McGuire Manufacturing Co., Inc.

60 Grandview Court
 Cheshire, Connecticut 06410
 (203) 699-1801 Fax (203) 699-1813
 customerservice@mcguiremfg.com mcguiremfg.com

PRODUCT SPECIFICATION

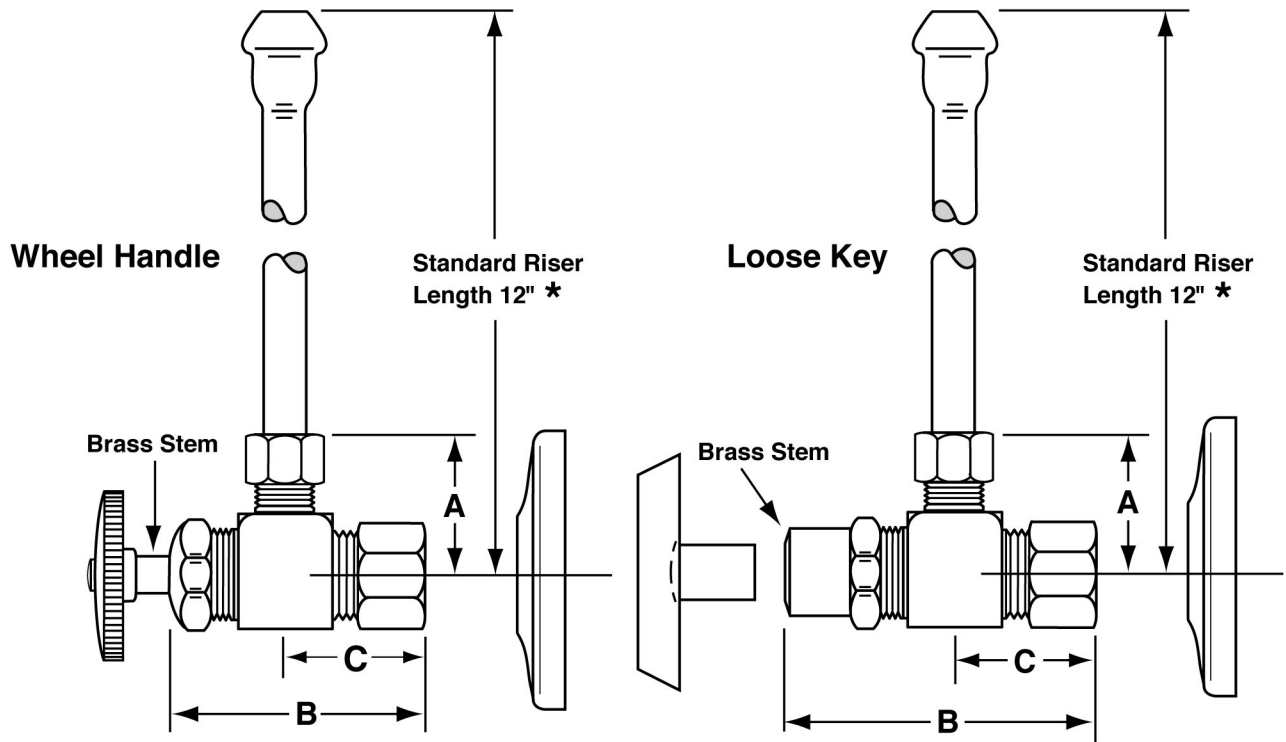
Part No.

LFCK2165CCEA

**Integral Check Supply Kit
 1/2" Nominal x O.D.**

Job Name:

Submittal Number:



NO.	DESCRIPTION	ROUGHING MEASUREMENTS		
		A	B	C
LFCK2165CCEA	1/2" Nominal x 3/8" O.D.	1-3/8"	2-1/4"	1-3/8"

LK designates Loose Key

* See options and accessories section for details on product variations.



Specifications:

Supply kit shall include lead free chrome plated integral check supply brass stop valves with full turn brass stem, no plastic, (12, 15, 20) inch chrome plated risers and (shallow, deep, bell) (steel, brass) or (forged brass with set screw) flange. Inlet shall be (3/8, 1/2) inch compression. Outlet shall be (3/8, 1/2) inch compression.

Supply kit shall be McGuire _____ . Supply kit shall be certified by recognized authority and bear manufacturer and testing mark.



WARNING:

This product can expose you to chemicals including lead, which is known to the State of California to cause cancer, and birth defects or other reproductive harm. For more information go to www.P65Warnings.ca.gov.



McGuire Manufacturing Co., Inc.

60 Grandview Court
 Cheshire, Connecticut 06410
 (203) 699-1801 Fax (203) 699-1813
 customerservice@mcguiremfg.com mcguiremfg.com

PRODUCT SPECIFICATION

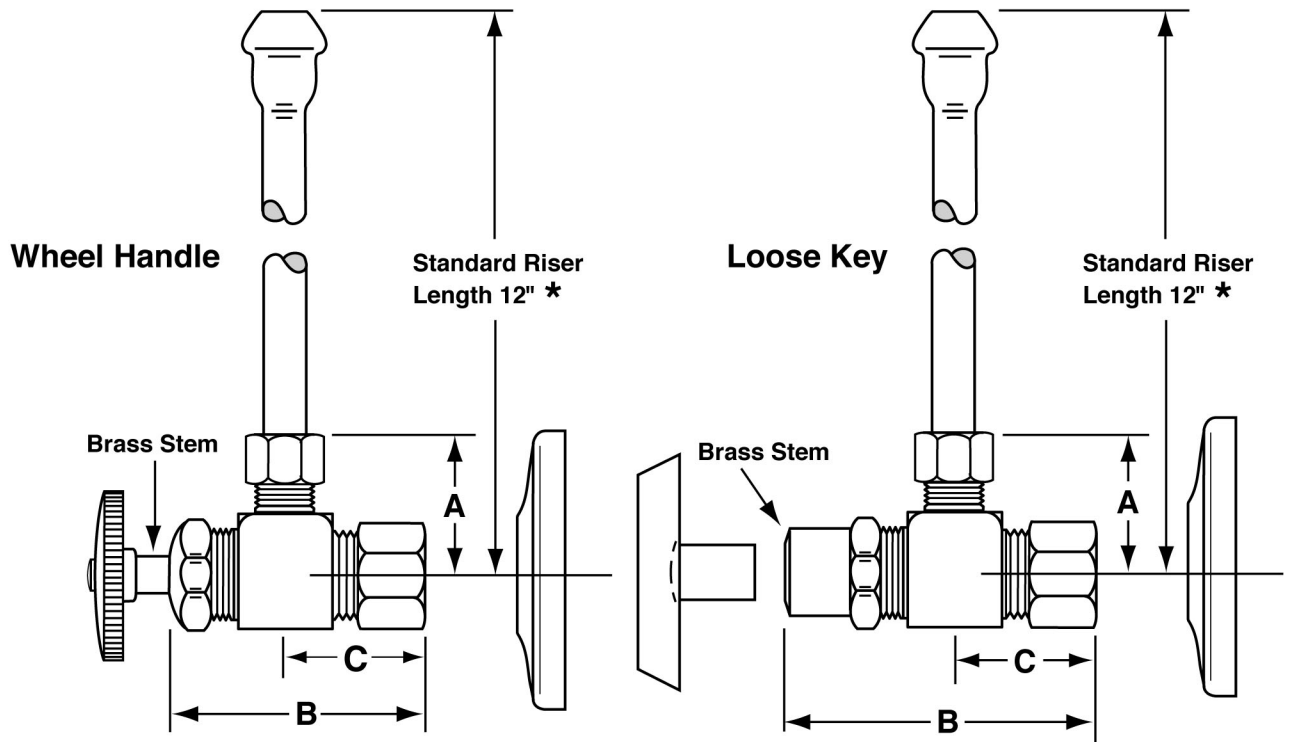
Part No.

LFCK2165CCLK

**Integral Check Supply Kit
 1/2" Nominal x O.D.**

Job Name:

Submittal Number:



NO.	DESCRIPTION	ROUGHING MEASUREMENTS		
		A	B	C
LFCK2165CCLK	1/2" Nominal x 3/8" O.D.	1-3/8"	2-1/4"	1-3/8"

LK designates Loose Key

* See options and accessories section for details on product variations.



Specifications:

Supply kit shall include lead free chrome plated integral check supply brass stop valves with full turn brass stem, no plastic, (12, 15, 20) inch chrome plated risers and (shallow, deep, bell) (steel, brass) or (forged brass with set screw) flange. Inlet shall be (3/8, 1/2) inch compression. Outlet shall be (3/8, 1/2) inch compression.

Supply kit shall be McGuire _____ . Supply kit shall be certified by recognized authority and bear manufacturer and testing mark.



WARNING:

This product can expose you to chemicals including lead, which is known to the State of California to cause cancer, and birth defects or other reproductive harm. For more information go to www.P65Warnings.ca.gov.



McGuire Manufacturing Co., Inc.

60 Grandview Court
 Cheshire, Connecticut 06410
 (203) 699-1801 Fax (203) 699-1813
 customerservice@mcguiremfg.com mcguiremfg.com

PRODUCT SPECIFICATION

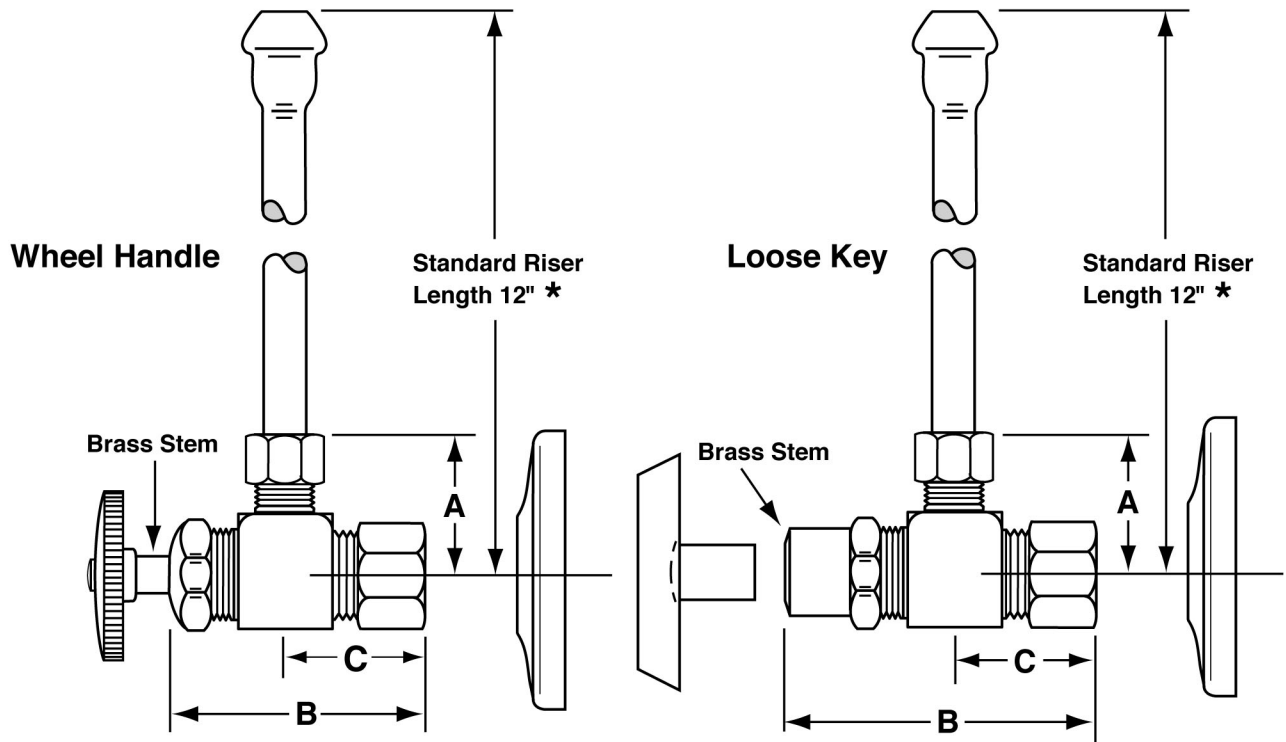
Part No.

LFCK2165CCLKEA

**Integral Check Supply Kit
 1/2" Nominal x O.D.**

Job Name:

Submittal Number:



NO.	DESCRIPTION	ROUGHING MEASUREMENTS		
		A	B	C
LFCK2165CCLKEA	1/2" Nominal x 3/8" O.D.	1-3/8"	2-1/4"	1-3/8"

LK designates Loose Key

* See options and accessories section for details on product variations.



Specifications:

Supply kit shall include lead free chrome plated integral check supply brass stop valves with full turn brass stem, no plastic, (12, 15, 20) inch chrome plated risers and (shallow, deep, bell) (steel, brass) or (forged brass with set screw) flange. Inlet shall be (3/8, 1/2) inch compression. Outlet shall be (3/8, 1/2) inch compression. Supply kit shall be McGuire _____ . Supply kit shall be certified by recognized authority and bear manufacturer and testing mark.



WARNING:

This product can expose you to chemicals including lead, which is known to the State of California to cause cancer, and birth defects or other reproductive harm. For more information go to www.P65Warnings.ca.gov.

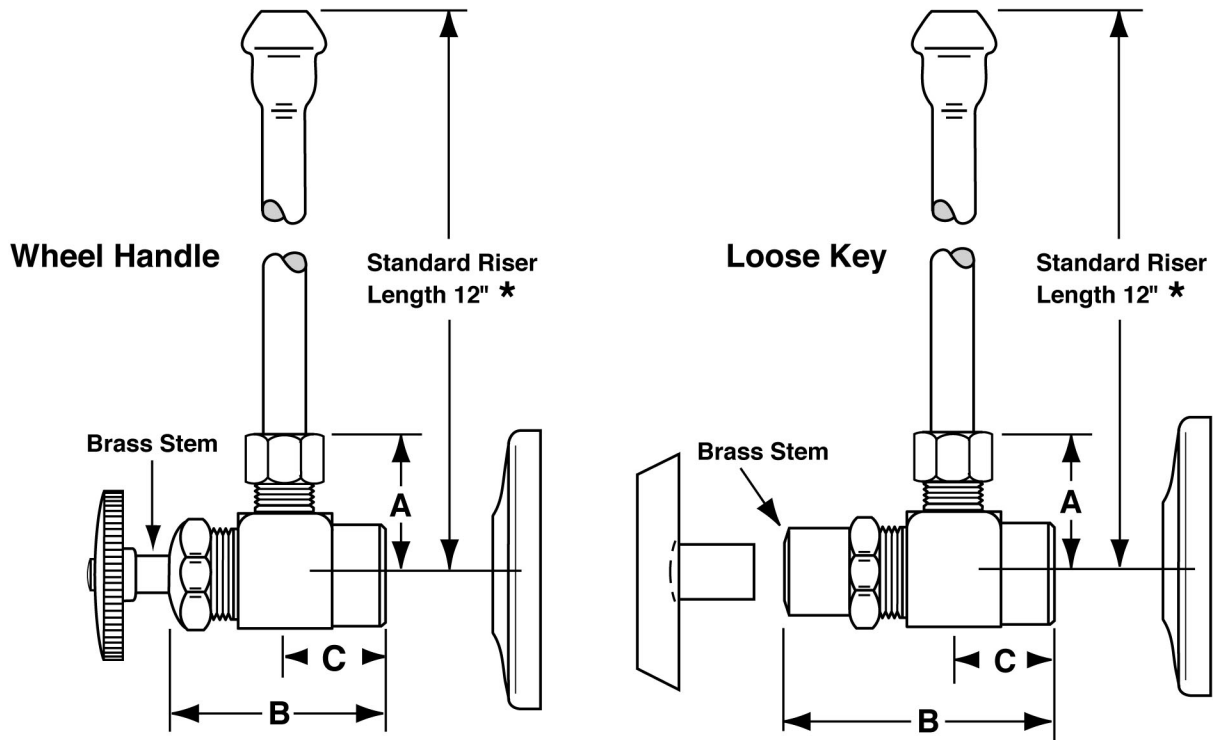


McGuire Manufacturing Co., Inc.
 60 Grandview Court
 Cheshire, Connecticut 06410
 (203) 699-1801 Fax (203) 699-1813
 customerservice@mcguiremfg.com mcguiremfg.com
PRODUCT SPECIFICATION

Part No.
LFCK2165LK
Integral Check Supply Kit
1/2" I.P.S. x O.D.

Job Name: _____

Submittal Number: _____



NO.	DESCRIPTION	ROUGHING MEASUREMENTS		
		A	B	C
LFCK2165LK	1/2" I.P.S. x 3/8" O.D.	1-3/8"	1-15/16"	1"

LK designates Loose Key

* See options and accessories section for details on product variations.



Specifications:

Supply kit shall include lead free integral check chrome plated brass stops with full turn brass stem, no plastic, (12, 15, 20) inch chrome plated copper risers and (shallow, deep, bell) (steel or brass) or (forged brass with set screw) flange. Inlet shall be (3/8, 1/2) inch (IPS, sweat, compression). Outlet shall be (3/8, 1/2) inch (IPS, compression). Supply kit shall be McGuire _____. Supply kit shall be certified by recognized authority and bear manufacturer and testing mark.

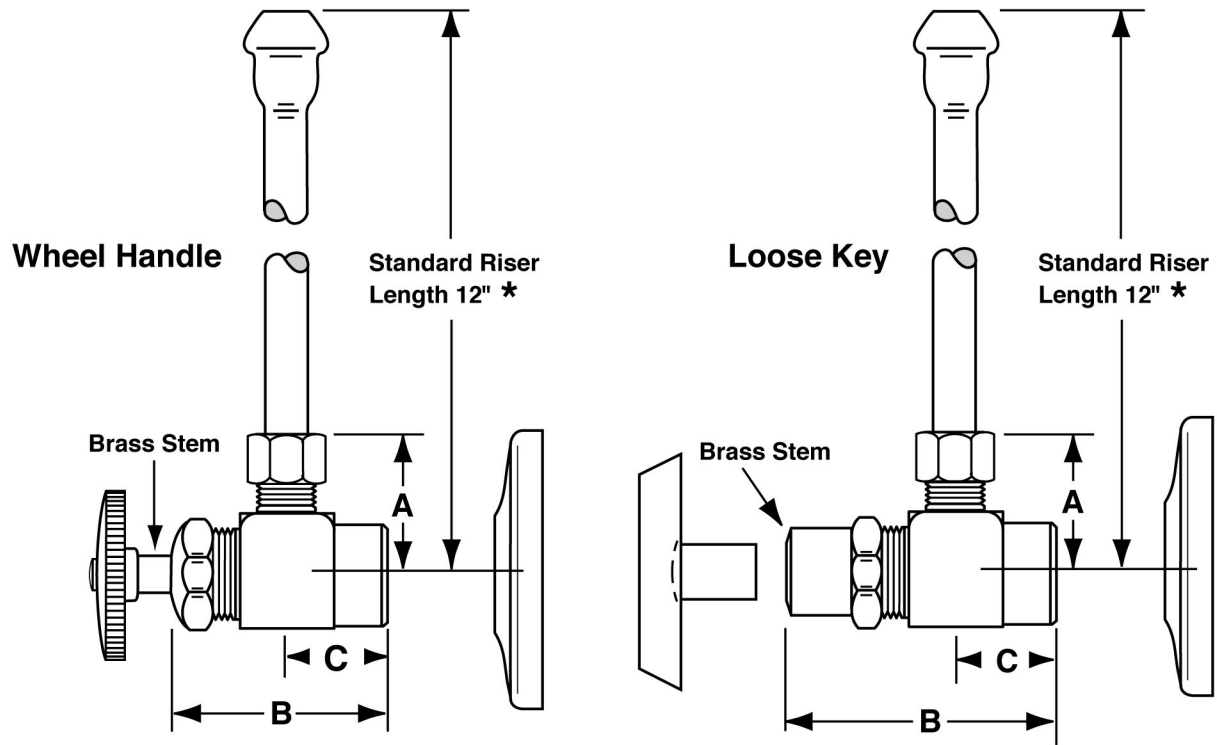
! WARNING:
 This product can expose you to chemicals including lead, which is known to the State of California to cause cancer, and birth defects or other reproductive harm. For more information go to www.P65Warnings.ca.gov.



McGuire Manufacturing Co., Inc.
 60 Grandview Court
 Cheshire, Connecticut 06410
 (203) 699-1801 Fax (203) 699-1813
 customerservice@mcguiremfg.com mcguiremfg.com
PRODUCT SPECIFICATION

Part No.
LFCK2165LKEA
Integral Check Supply Kit
1/2" I.P.S. x O.D.

Job Name: _____ **Submittal Number:** _____



NO.	DESCRIPTION	ROUGHING MEASUREMENTS		
		A	B	C
LFCK2165LKEA	1/2" I.P.S. x 3/8" O.D.	1-3/8"	1-15/16"	1"

LK designates Loose Key

* See options and accessories section for details on product variations.



Specifications:

Supply kit shall include lead free integral check chrome plated brass stops with full turn brass stem, no plastic, (12, 15, 20) inch chrome plated copper risers and (shallow, deep, bell) (steel or brass) or (forged brass with set screw) flange. Inlet shall be (3/8, 1/2) inch (IPS, sweat, compression). Outlet shall be (3/8, 1/2) inch (IPS, compression). Supply kit shall be McGuire _____. Supply kit shall be certified by recognized authority and bear manufacturer and testing mark.



WARNING:

This product can expose you to chemicals including lead, which is known to the State of California to cause cancer, and birth defects or other reproductive harm. For more information go to www.P65Warnings.ca.gov.

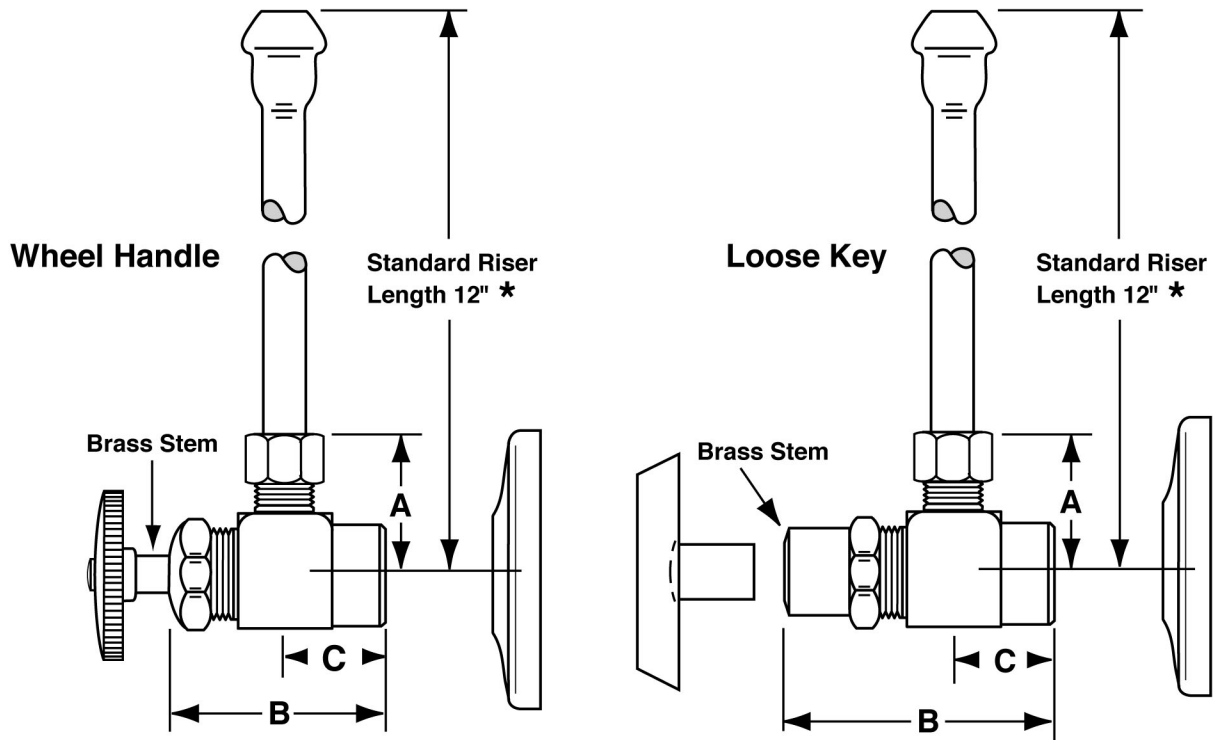


McGuire Manufacturing Co., Inc.
 60 Grandview Court
 Cheshire, Connecticut 06410
 (203) 699-1801 Fax (203) 699-1813
 customerservice@mcguiremfg.com mcguiremfg.com
PRODUCT SPECIFICATION

Part No.
LFCK2167
Integral Check Supply Kit
1/2" I.P.S. x O.D.

Job Name: _____

Submittal Number: _____



NO.	DESCRIPTION	ROUGHING MEASUREMENTS		
		A	B	C
LFCK2167	1/2" I.P.S. x 1/2" O.D.	1-3/8"	1-15/16"	1"

LK designates Loose key

* See options and accessories section for details on product variations.



Specifications:

Supply kit shall include lead free integral check chrome plated brass stops with full turn brass stem, no plastic, (12, 15, 20) inch chrome plated copper risers and (shallow, deep, bell) (steel or brass) or (forged brass with set screw) flange. Inlet shall be (3/8, 1/2) inch (IPS, sweat, compression). Outlet shall be (3/8, 1/2) inch (IPS, compression). Supply kit shall be McGuire _____. Supply kit shall be certified by recognized authority and bear manufacturer and testing mark.



WARNING:

This product can expose you to chemicals including lead, which is known to the State of California to cause cancer, and birth defects or other reproductive harm. For more information go to www.P65Warnings.ca.gov.

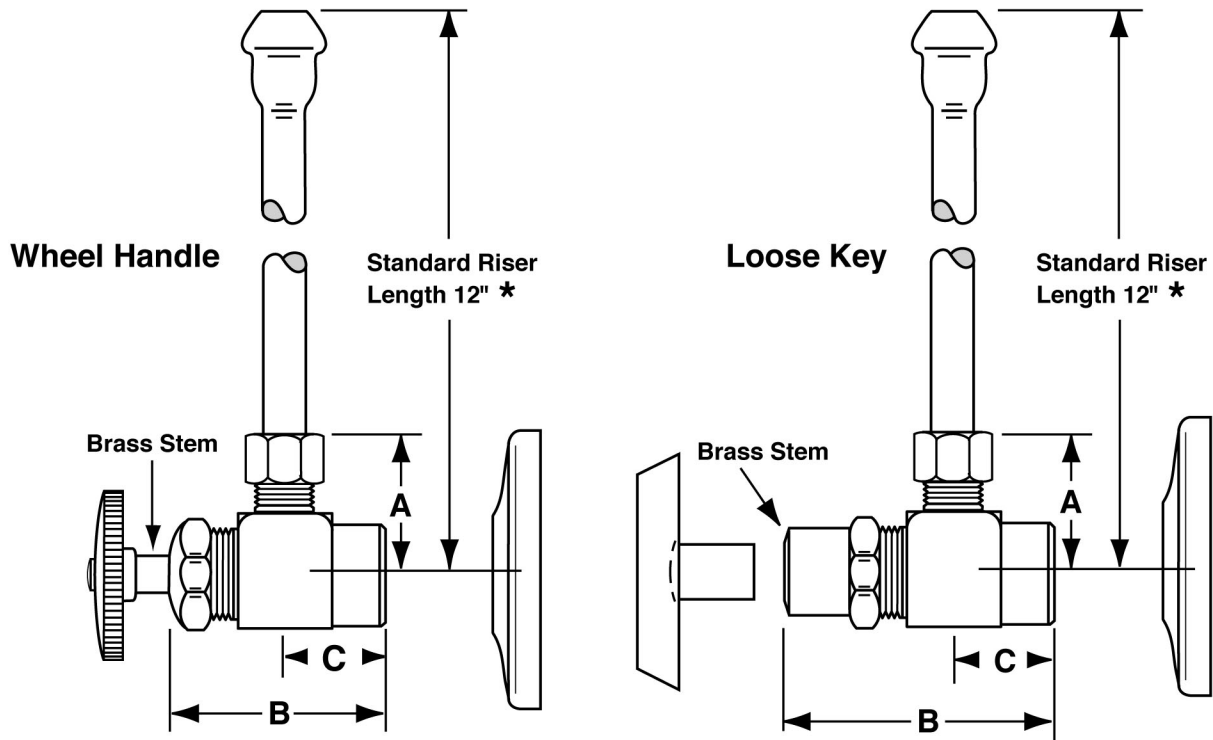


McGuire Manufacturing Co., Inc.
 60 Grandview Court
 Cheshire, Connecticut 06410
 (203) 699-1801 Fax (203) 699-1813
 customerservice@mcguiremfg.com mcguiremfg.com
PRODUCT SPECIFICATION

Part No.
LFCK2167EA
Integral Check Supply Kit
1/2" I.P.S. x O.D.

Job Name: _____

Submittal Number: _____



NO.	DESCRIPTION	ROUGHING MEASUREMENTS		
		A	B	C
LFCK2167EA	1/2" I.P.S. x 1/2" O.D.	1-3/8"	1-15/16"	1"

LK designates Loose key

* See options and accessories section for details on product variations.



Specifications:

Supply kit shall include lead free integral check chrome plated brass stops with full turn brass stem, no plastic, (12, 15, 20) inch chrome plated copper risers and (shallow, deep, bell) (steel or brass) or (forged brass with set screw) flange. Inlet shall be (3/8, 1/2) inch (IPS, sweat, compression). Outlet shall be (3/8, 1/2) inch (IPS, compression). Supply kit shall be McGuire _____. Supply kit shall be certified by recognized authority and bear manufacturer and testing mark.



WARNING:

This product can expose you to chemicals including lead, which is known to the State of California to cause cancer, and birth defects or other reproductive harm. For more information go to www.P65Warnings.ca.gov.

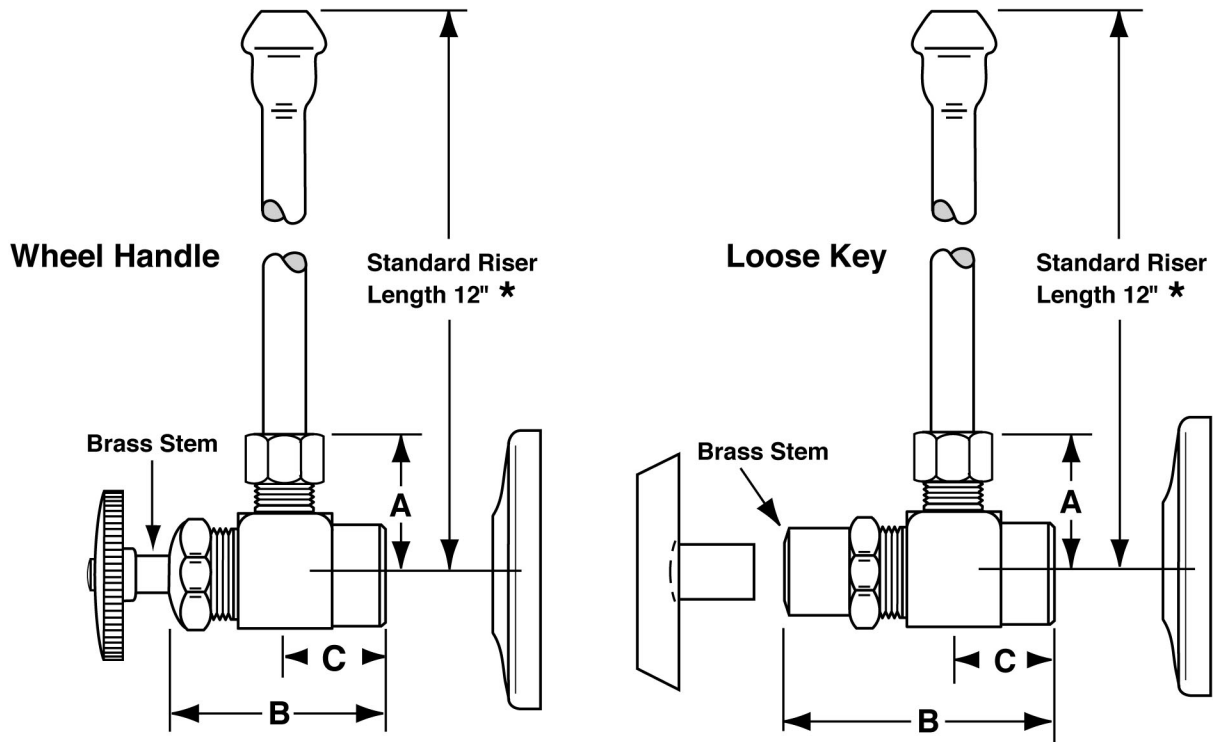


McGuire Manufacturing Co., Inc.
 60 Grandview Court
 Cheshire, Connecticut 06410
 (203) 699-1801 Fax (203) 699-1813
 customerservice@mcguiremfg.com mcguiremfg.com
PRODUCT SPECIFICATION

Part No.
LFCK2167LKEA
Integral Check Supply Kit
1/2" I.P.S. x O.D.

Job Name: _____

Submittal Number: _____



NO.	DESCRIPTION	ROUGHING MEASUREMENTS		
		A	B	C
LFCK2167LKEA	1/2" I.P.S. x 1/2" O.D.	1-3/8"	1-15/16"	1"

LK designates Loose key

* See options and accessories section for details on product variations.



Specifications:

Supply kit shall include lead free integral check chrome plated brass stops with full turn brass stem, no plastic, (12, 15, 20) inch chrome plated copper risers and (shallow, deep, bell) (steel or brass) or (forged brass with set screw) flange. Inlet shall be (3/8, 1/2) inch (IPS, sweat, compression). Outlet shall be (3/8, 1/2) inch (IPS, compression). Supply kit shall be McGuire _____. Supply kit shall be certified by recognized authority and bear manufacturer and testing mark.



WARNING:

This product can expose you to chemicals including lead, which is known to the State of California to cause cancer, and birth defects or other reproductive harm. For more information go to www.P65Warnings.ca.gov.